

## Coaxial cable connection of Antennas, Sensors, and Communication Trunk Lines

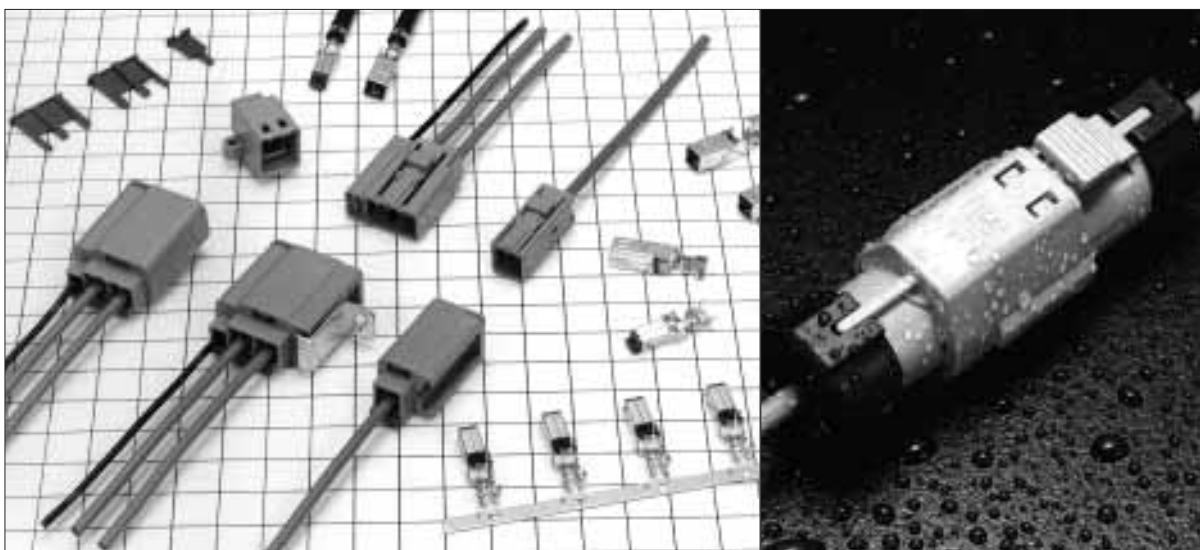
SAE/USCAR-19

Termination of coaxial cables in automotive, medical and instrumentation applications utilizes a single motion to crimp the center conductor, shield and outer insulation.

# GT5 Series

— Connectors for coaxial cables —

< Several types and configurations: In-line, board mounted, combinations of coaxial cable with signal/power, Multi-position and color/ keying variations. >



### Features

- **USCAR Standard** titled "Square Outer Conductor (SAE/USCAR-19)" excludes Water Proof type (GT5W)
- **Cost efficient termination**  
Highly efficient and reliable single motion "Twin Crimp™" termination allows high volume production with semi-automatic equipment.
- **Space-saving Design**
- **Lock-release latching system**
- **Shock / vibration resistant electrical connections**
- **Verification of the full contact insertion**
- **Color and polarizing variations**
- **Excellent High Frequency Performance**  
Refer to V.S.W.R. data on the following pages.

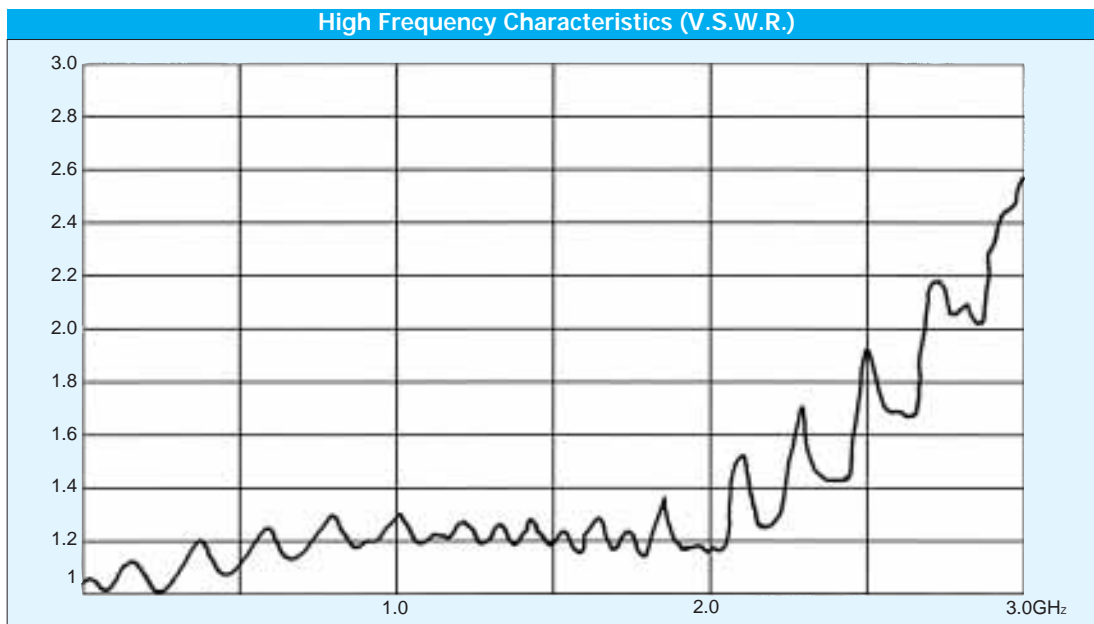
### Applications

In-car communication, car sensors (temperature, pressure), automotive audio systems, GPS antenna systems, RACS antenna audio/video antenna systems, CRT displays, medical and measuring instrumentation, variety of communication equipment, office automation equipment, LAN systems.

\*"Twin Crimp" is a registered trade mark of Hirose Electric.

## GT5 Series

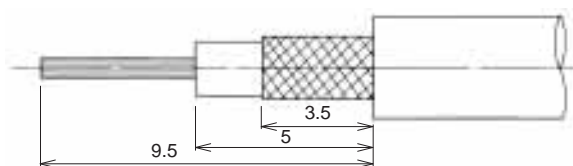
### ◆ Test Data (Using 1.5D-2V Type cable)



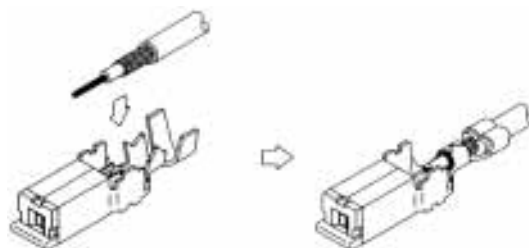
Note: Typical data using fully assembled and connected GT5-1S-HU and the GT5-1PP-HU.

### ◆ Termination sequence

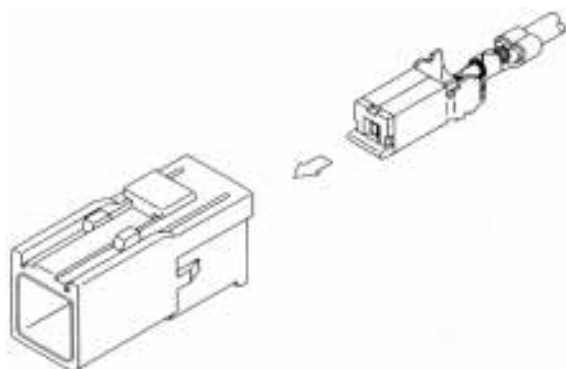
1. Strip the cable.



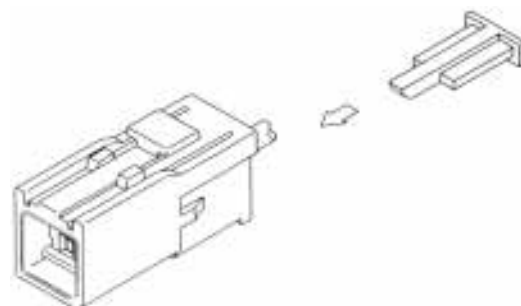
2. Crimp the cable to the terminal.



3. Insert the terminal in the housing until is fully locked.

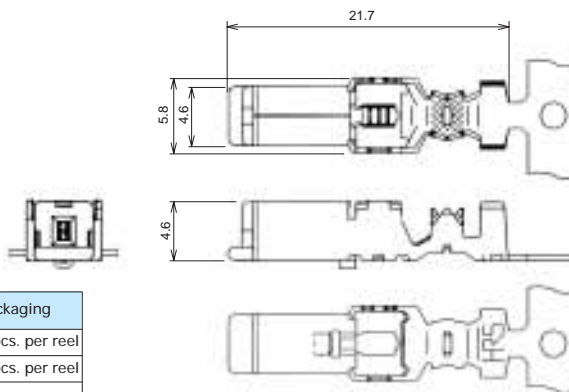


4. Fully insert the retainer.



## Terminals for coaxial shielded cable

### F Connector Terminals

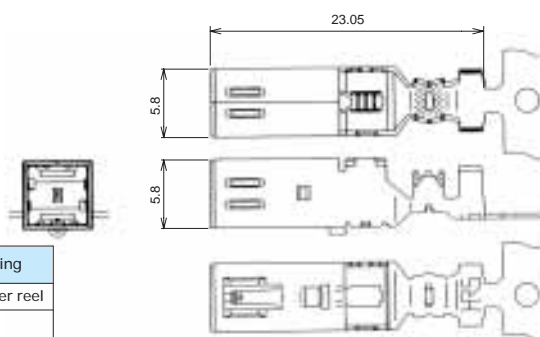


Part Number	CL No.	Conductor Size (AWG)	Inner Insulation Diameter	Outer Diameter	Packaging
GT5-30/0.7-1.5SCF	755-0065-1	#30 or equivalent	0.6 to 0.9mm	1.4 to 1.8mm	1,300 pcs. per reel
GT5-2428/1.6-2.5SCF	755-0078-3	#30 or equivalent	1.5 to 2.0mm	2.3 to 2.7mm	1,300 pcs. per reel
GT5-30/1.6-2.9SCF	755-0022-9	#24 to 28 or equivalent	1.5 to 2.0mm	2.6 to 3.4mm	1,300 pcs. per reel
GT5-2428/1.6-2.9SCF	755-0002-1	#24 to 28 or equivalent			
GT5-2022/1.6-2.9SCF	755-0071-4	#20 to 22 or equivalent			
GT5-2022/F2.7-3.5SCF	755-0077-0	#20 to 22 or equivalent	2.4 to 2.9mm	3.3 to 3.7mm	1,100 pcs. per reel
* GT5-2022/F3.3-3.8SCF	755-0054-5	#20 to 22 or equivalent	2.5 to 2.9mm	3.6 to 4.0mm	1,100 pcs. per reel
* GT5-30/3.3-5SCF	755-0016-6	#30 or equivalent	2.5 to 2.9mm	4.6 to 5.0mm	1,100 pcs. per reel
* GT5-2428/F3.3-5SCF	755-0012-5	#24 to 28 or equivalent			
* GT5-2022/F3.3-5SCF	755-0034-8	#20 to 22 or equivalent			
* GT5-30/F4-5SCF	755-0020-3	#30 or equivalent	3.0 to 3.6mm	4.6 to 5.0mm	1,100 pcs. per reel
* GT5-2428/F4-5SCF	755-0024-4	#24 to 28 or equivalent			
* GT5-2022/F4-5SCF	755-0036-3	#20 to 22 or equivalent			

Part	Material	Finish
Insulator	PBT	Color: Dark gray
Crimp terminals	Phosphor bronze	Tin plating
Outer terminals	Brass	Tin plating

Note: Products marked with an asterisk (\*) indicate polyethylene foam insulation.

### M Connector Terminals

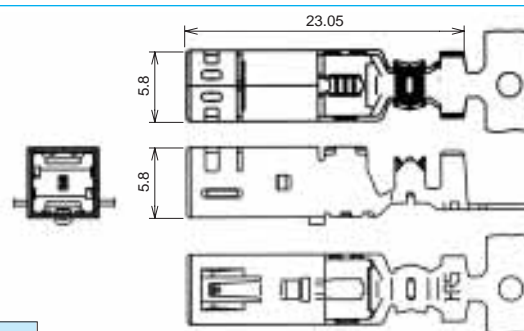


Part Number	CL No.	Conductor Size (AWG)	Inner Insulation Diameter	Outer Diameter	Packaging
GT5-30/0.7-1.5PCF	755-0017-9	#30 or equivalent	0.6 to 0.9mm	1.4 to 1.8mm	900 pcs. per reel
GT5-30/1.6-2.9PCF	755-0021-6	#30 or equivalent	1.5 to 2.0mm	2.6 to 3.4mm	900 pcs. per reel
GT5-2428/1.6-2.9PCF	755-0001-9	#24 to 28 or equivalent			
GT5-2022/1.6-2.9PCF	755-0094-0	#20 to 22 or equivalent			
GT5-2022/F2.7-3.5PCF	755-0076-8	#20 to 22 or equivalent	2.4 to 2.9mm	3.3 to 3.7mm	900 pcs. per reel
* GT5-2022/F3.3-3.8PCF	755-0053-2	#20 to 22 or equivalent	2.5 to 2.9mm	3.6 to 4.0mm	900 pcs. per reel
* GT5-30/F3.3-5PCF	755-0015-3	#30 or equivalent	2.5 to 2.9mm	4.6 to 5.0mm	900 pcs. per reel
* GT5-2428/F3.3-5PCF	755-0011-2	#24 to 28 or equivalent			
* GT5-2022/F3.3-5PCF	755-0033-5	#20 to 22 or equivalent			
* GT5-30/F4-5PCF	755-0019-4	#30 or equivalent	3.0 to 3.6mm	4.6 to 5.0mm	900 pcs. per reel
* GT5-2428/F4-5PCF	755-0023-1	#24 to 28 or equivalent			
* GT5-2022/F4-5PCF	755-0035-0	#20 to 22 or equivalent			

Part	Material	Finish
Insulator	PBT	Color: Dark gray
Crimp terminals	Brass	Tin plating
Outer terminals	Brass	Tin plating

Note: Products marked with an asterisk (\*) indicate polyethylene foam insulation.

### Low-insertion M Connector Terminals



Part Number	HRS No.	Conductor Size (AWG)	Inner Insulation Diameter	Outer Diameter	Packaging
GT5L-30/0.7-1.5PCF	755-0068-0	#30 or equivalent	0.6 to 0.9mm	1.4 to 1.8mm	900 pcs. per reel
GT5L-30/1.6-2.9PCF	755-0067-7	#30 or equivalent	1.5 to 2.0mm	2.6 to 3.4mm	900 pcs. per reel
GT5L-2428/1.6-2.9PCF	755-0066-4	#24 to 28 or equivalent			
GT5L-2428/1.6-2.5PCF	755-0079-6	#24 to 28 or equivalent			

Part	Material	Finish
Insulator	PBT	Color: Dark gray
Crimp terminals	Brass	Tin plating
Outer terminals	Brass	Tin plating

GT5 Series

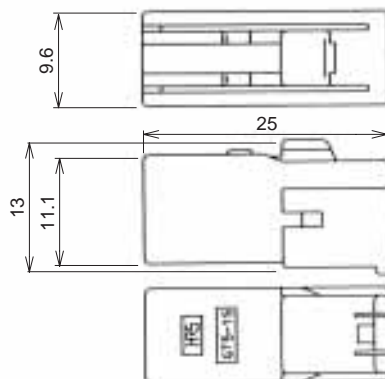
**For Single-Conductor coaxial shielded cable**

**F Connectors**

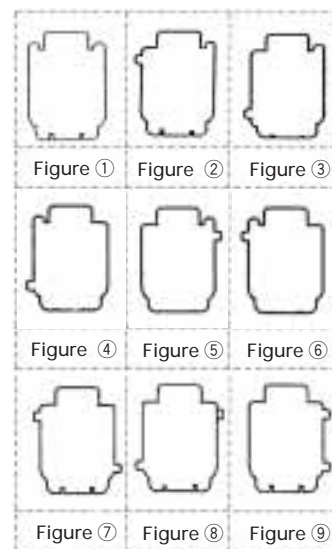
● Housings



GT5-1S-HU

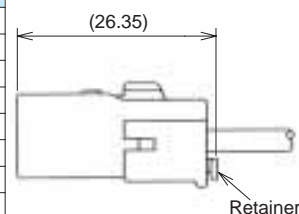


◆ Keying Configurations



Part Number	CL No.	Material	Color	Key polarizing code	Corresponding M Connector Housing- In-line	Corresponding M Connector Assembly- Board Mounting	USCAR-19 Coding
GT5-1S-HU	755-0004-7	PBT	Light gray	Figure ①	GT5-1PP-HU	GT5-1P-DS	-
GT5-1S-HU(A)	755-0037-6		Brown	Figure ②	GT5-1PP-HU(A)	GT5-1P-DS(A)	A
GT5-1S-HU(B)	755-0038-9		Green	Figure ③	GT5-1PP-HU(B)	GT5-1P-DS(B)	B
GT5-1S-HU(C)	755-0080-5		Blue	Figure ④	GT5-1PP-HU(C)	GT5-1P-DS(C)	C
GT5-1S-HU(D)	755-0081-8		Purple	Figure ⑤	GT5-1PP-HU(D)	GT5-1P-DS(D)	D
GT5-1S-HU(E)	755-0082-0		Pink	Figure ⑥	GT5-1PP-HU(E)	GT5-1P-DS(E)	E
GT5-1S-HU(I)	Note 1		Black	Figure ⑦	GT5-1PP-HU(I)	GT5-1P-DS(I)	I
GT5-1S-HU(J)	Note 1		Cream white	Figure ⑧	GT5-1PP-HU(J)	GT5-1P-DS(J)	J
GT5-1S-HU(K)	Note 1		Pastel orange	Figure ⑨	GT5-1PP-HU(K)	GT5-1P-DS(K)	K

◆ Shown with inserted retainer.

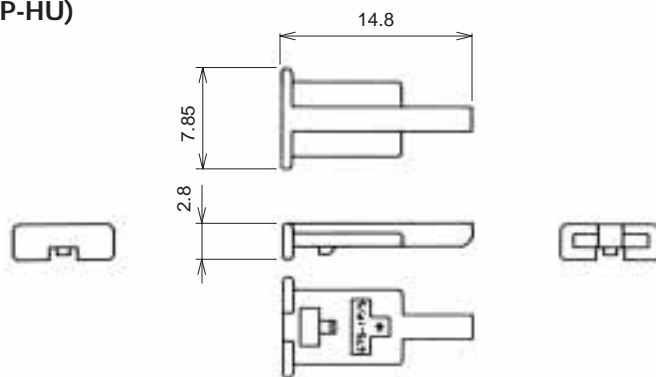


Terminal extraction tool: GT-PO(A), Note 1: concept only

● Retainer (-Optional-Used with the housings: GT5-1S-HU, GT5-1PP-HU, GT5N-1PP-HU, GT5H-1PP-HU)



Part Number	CL No.	Material	Color
GT5-1P/S-R	755-0006-2	PBT	Dark gray



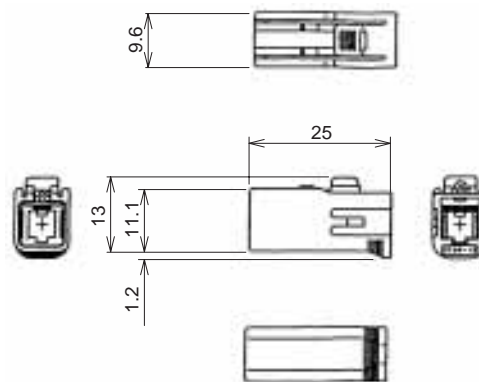
● Housing (Not requiring use of the retainer)



GT5R-1S/HU

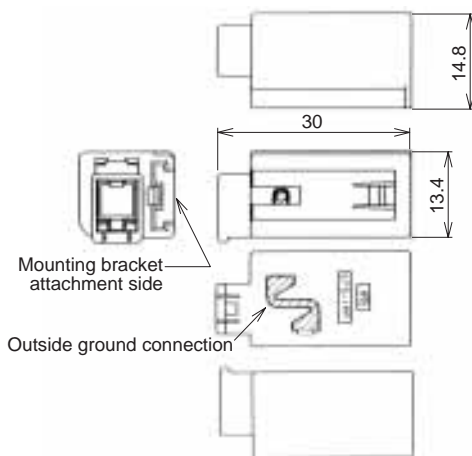
Part Number	CL No.	Material	Color
GT5R-1S-HU	755-0047-0	PBT	Light gray

Terminal extraction tool: GT-PO(A)

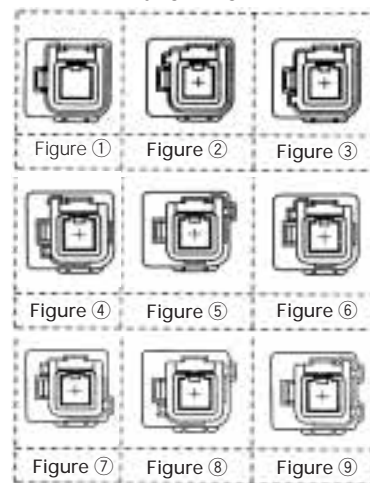


## M Connectors

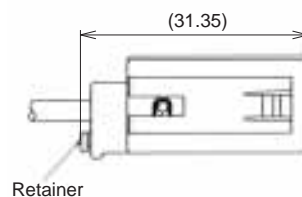
### Housings



### Keying Configurations



Shown with inserted retainer.



Part Number	CL No.	Corresponding F Connector Housing	Color	Key polarizing code	USCAR-19 Coding
GT5-1PP-HU	755-0005-0	GT5-1S-HU	Light Gray	Figure ①	—
GT5-1PP-HU(A)	755-0039-1	GT5-1S-HU(A)	Brown	Figure ②	A
GT5-1PP-HU(B)	755-0040-0	GT5-1S-HU(B)	Green	Figure ③	B
GT5-1PP-HU(C)	755-0103-9	GT5-1S-HU(C)	Blue	Figure ④	C
GT5-1PP-HU(D)	755-0104-1	GT5-1S-HU(D)	Purple	Figure ⑤	D
GT5-1PP-HU(E)	755-0105-4	GT5-1S-HU(E)	Pink	Figure ⑥	E
GT5-1PP-HU(I)	Note 1	GT5-1S-HU(I)	Black	Figure ⑦	I
GT5-1PP-HU(J)	Note 1	GT5-1S-HU(J)	Cream white	Figure ⑧	J
GT5-1PP-HU(K)	Note 1	GT5-1S-HU(K)	Pastel orange	Figure ⑨	K

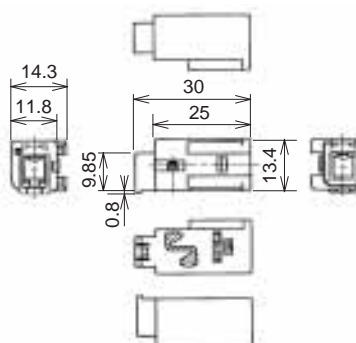
\* Refer to pages 32 and 34 for panel brackets used with in-line connectors.

\* Terminal extraction tool: GT-PO(A)

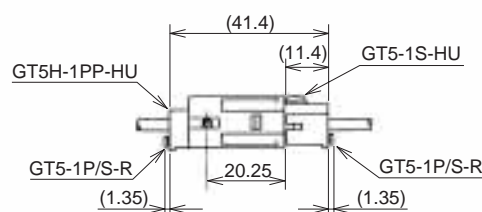
Note 1: concept only

Part	Material	Finish
Housing	PBT	Color: Dark gray
Ground terminal	Phosphor bronze	Tin plating

### Housings (For use with H type mounting bracket)

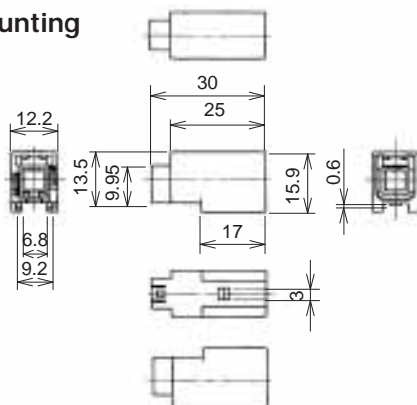


Fully mated connector assemblies.

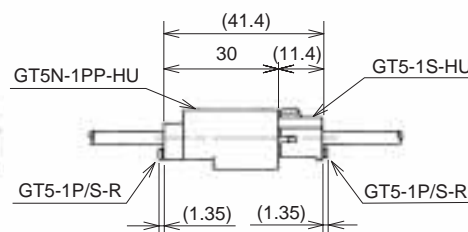


Part Number	CL No.	Color	Corresponding F Connector Housing
GT5H-1PP-HU (10)	755-0093-7 10	Light Gray	GT5-1S-HU
GT5H-1PP-HU (41)	755-0093-7 41	Blue	GT5R-1S-HU

### Housing (For use with N type mounting bracket)



Fully mated connector assemblies.



Part Number	CL No.	Color	Corresponding F Connector Housing
GT5N-1PP-HU	755-0090-9	Light Gray	GT5-1S-HU
			GT5R-1S-HU



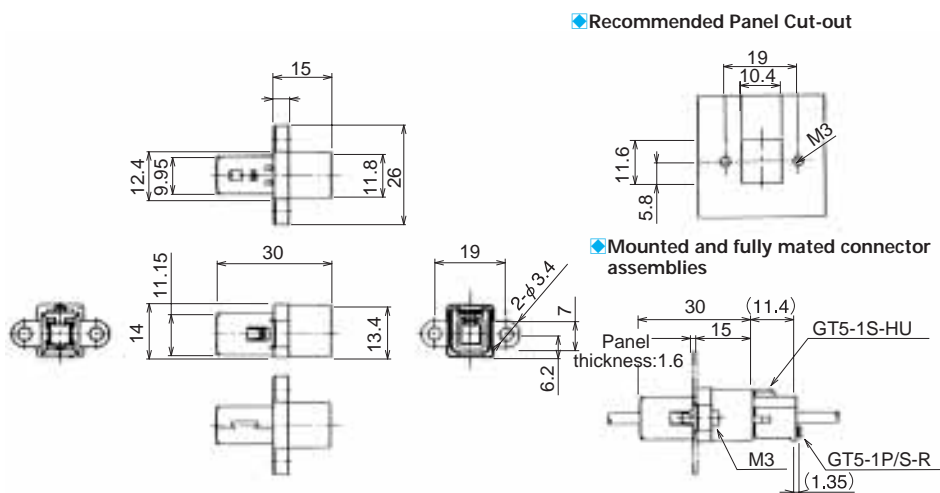
## GT5 Series

Coaxial cable connection of Antennas, Sensors, and Communication Trunk Lines

GT 1  
GT 5  
GT 13  
GT 16  
GT 17  
GT 19N  
GT 2  
GT 3  
GT 6W  
GT 7  
GT 10  
GT 12  
GT 18W  
GT 15  
GT 8  
GT 9

### ● Housings

[ Panel mounting, enhanced  
shielding configuration ]

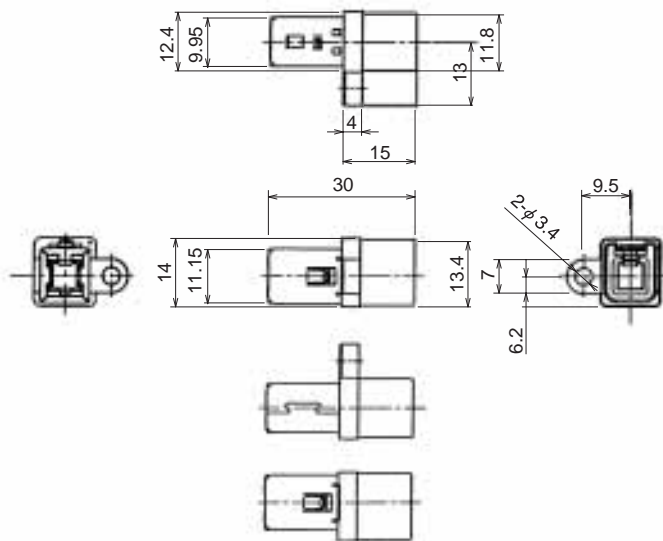


Part Number	CL No.	Part	Material	Finish
GT5A-1PP-HU	755-0025-7	Housing	PBT	Color: Light gray
		Ground terminal	Brass	Tin plating

**Note 1:** Terminal extraction tool: GT-PO(A)

**Note 2:** Retainer is optional.

**Note 3:** Use JIS B 1111 and 1101 M3 screws for the mounting screws.

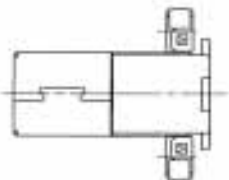
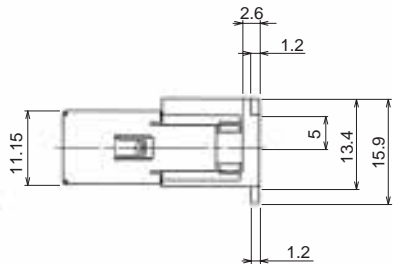
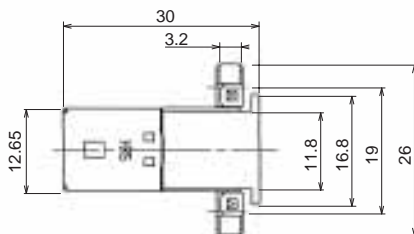


Part Number	CL No.	Part	Material	Finish
GT5P-1PP-HU	755-0030-7	Housing	PBT	Color: Light gray
		Ground terminal	Brass	Tin plating

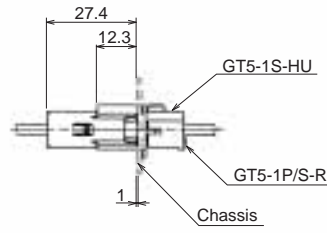
**Note 1:** Terminal extraction tool: GT-PO(A)

**Note 2:** Retainer is optional.

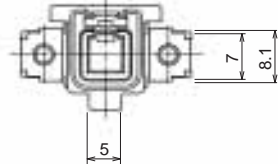
**Note 3:** Use JIS B 1111 and 1101 M3 screws for the mounting screws.



Mounted and fully mated connector assemblies

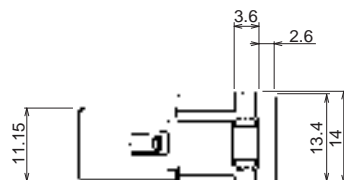
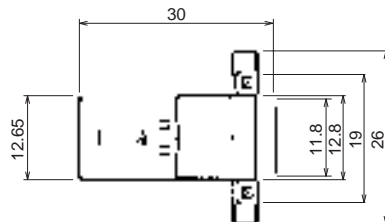


Assembly Diagram(1:1)

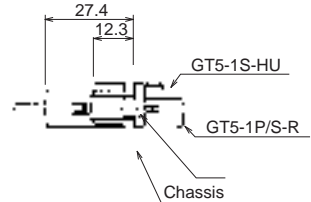


Part Number	CL No.	Part	Material	Finish
GT5B-1PP-HU	755-0051-7	Housing	PBT	Color: Light gray
		Ground terminal	Copper alloy	Tin plating

**Note 1:** Terminal extraction tool: GT-PO(A) with nominal diameter 3L-6 (for a board thickness of 1.6 mm).  
**Note 2:** Retainer is optional.  
**Note 3:** Use JIS B 1115 and 1122 class 4, nominal diameter 3, length 6 screws for the mounting screws.



Mounted and fully mated connector assemblies



Assembly Diagram (1:1)

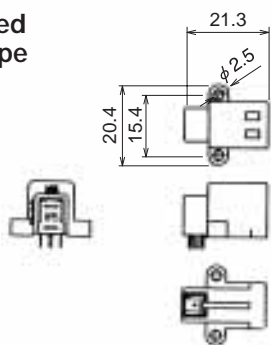


Part Number	CL No.	Part	Material	Finish
GT5S-1PP-HU	755-0050-4	Housing	PBT	Color: Light gray
		Ground terminal	Copper alloy	Tin plating

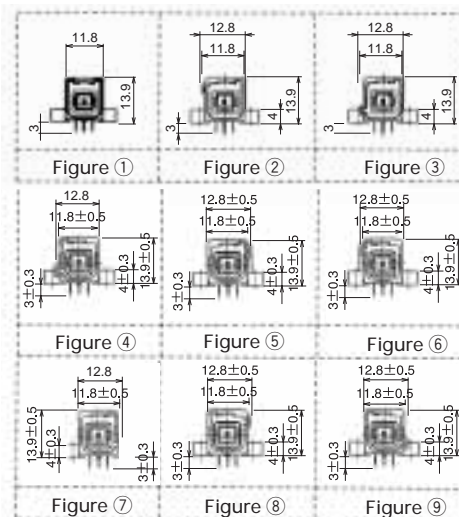
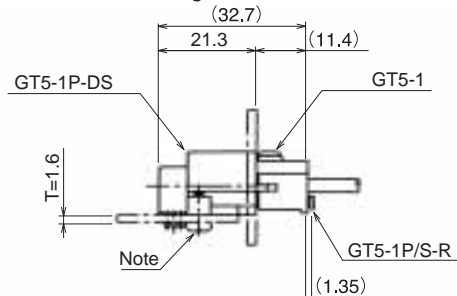
**Note 1:** Terminal extraction tool: GT-PO(A) with nominal diameter 3L-6 (for a board thickness of 1.6 mm).  
**Note 2:** Retainer is optional.  
**Note 3:** Use JIS B 1115 and 1122 class 4, nominal diameter 3, length 6 screws for the mounting screws.

## GT5 Series

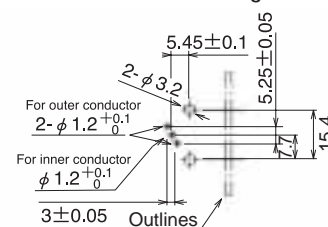
### ● Connector assembly, Printed Circuit Board Mounting Type



◆ Diagram of Mated Connector in Use



◆ Recommended PCB Mounting Pattern



Part Number	CL No.	Color	Key polarizing code	M Connector-Board Type	Corresponding F Connector Housing
GT5-1P-DS	755-0007-5	Light Gray	Figure ①	GT5-1P-DS	GT5-1S-HU
GT5-1P-DS(A)	755-0041-3	Brown	Figure ②	GT5-1P-DS(A)	GT5-1S-HU(A)
GT5-1P-DS(B)	755-0042-6	Green	Figure ③	GT5-1P-DS(B)	GT5-1S-HU(B)
GT5-1P-DS(C)	755-0083-3	Blue	Figure ④	GT5-1P-DS(C)	GT5-1S-HU(C)
GT5-1P-DS(D)	755-0084-6	Purple	Figure ⑤	GT5-1P-DS(D)	GT5-1S-HU(D)
GT5-1P-DS(E)	755-0085-9	Pink	Figure ⑥	GT5-1P-DS(E)	GT5-1S-HU(E)
GT5-1P-DS(I)	Note 2	Black	Figure ⑦	GT5-1P-DS(I)	GT5-1S-HU(I)
GT5-1P-DS(J)	Note 2	Cream white	Figure ⑧	GT5-1P-DS(J)	GT5-1S-HU(J)
GT5-1P-DS(K)	Note 2	Pastel orange	Figure ⑨	GT5-1P-DS(K)	GT5-1S-HU(K)

**Note:** Use JIS B 1115 and 1122 class 4, nominal diameter 3, length 6 screws (for a board thickness of 1.6 mm) for the mounting screws.

\* Eight types of keys are available.

Please use a mating F connector housing of a matching key type.

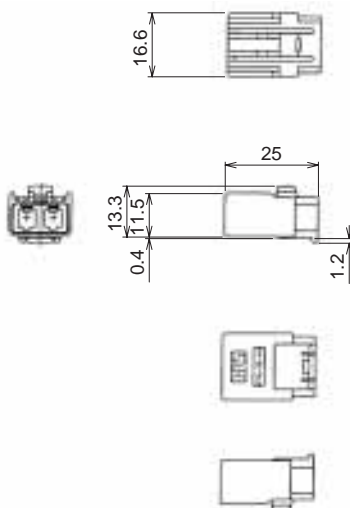
Part	Material	Finish
Housing	PBT	-
0.65 x 1.1 Terminals	Brass	Tin plating
Insulator	PBT	Dark gray
Outer terminals	Phosphor bronze	Tin plating



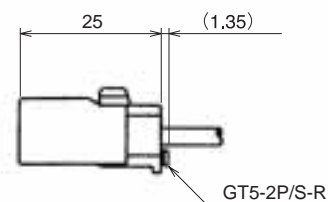
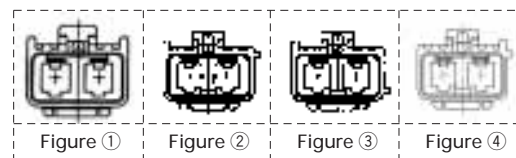
## Two-position type-Each Single-Conductor coaxial cable

### F Connectors

#### Housings



#### Keying Configurations



Shown with inserted retainer.

Part Number	CL No.	Material	Color	Key polarizing code	USCAR-19 Coding
GT5-2S-HU	755-0044-1	PBT	Light Gray	Figure ①	D2
GT5-2S-HU(A)	755-0059-9		Brown	Figure ②	A2
GT5-2S-HU(B)	755-0060-8		Green	Figure ③	B2
GT5-2S-HU(C)	755-0097-8		Blue	Figure ④	C2

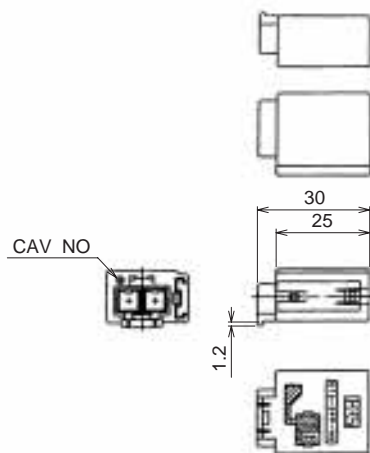
Note 1: Used with separate retainer (GT5-2P/S-R).

Note 2: Please use a mating F connector of a matching key type.

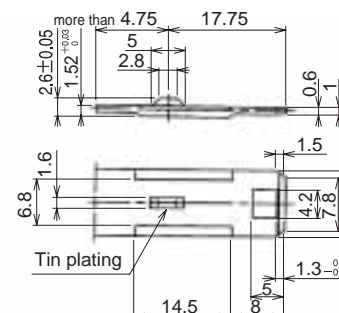
Note 3: Terminal extraction tool: GT-PO(A)

### M Connectors

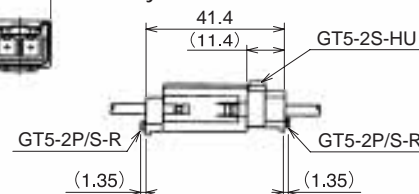
#### Housings[Panel Mounted Housing]



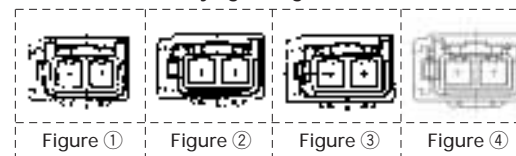
#### Recommended Mounting Bracket dimensions.



#### Fully mated connector assemblies



#### Keying Configurations



Part Number	CL No.	Color	Key polarizing code
GT5-2PP-HU	755-0045-4	Light Gray	Figure ①
GT5-2PP-HU(A)	755-0063-6	Brown	Figure ②
GT5-2PP-HU(B)	755-0064-9	Green	Figure ③
GT5-2PP-HU(C)	755-0099-3	Blue	Figure ④

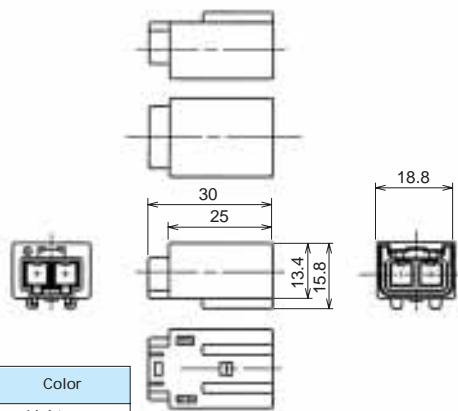
Part	Material	Finish
Housing	PBT	-
Ground terminal	Phosphor bronze	Tin plating

Note: Used with separate retainer (GT5-2P/S-R).

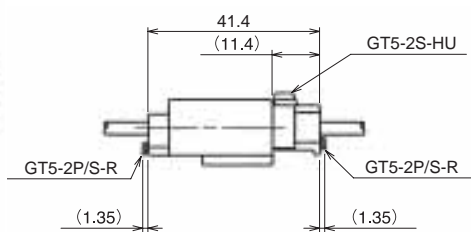
Coding D2 at USCAR-19 is GT5-2PP-HU.

## GT5 Series

### ● Housing



◆ Diagram of Mated Connector in Use

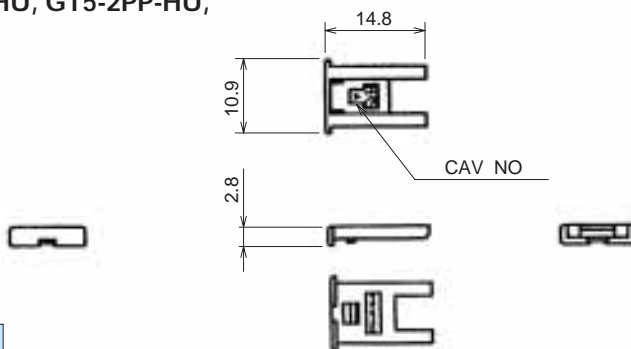


Part Number	CL No.	Material	Color
GT5N-2PP-HU	755-0055-8	PBT	Light gray

Note 1: Terminal extraction tool: GT-PO(A)

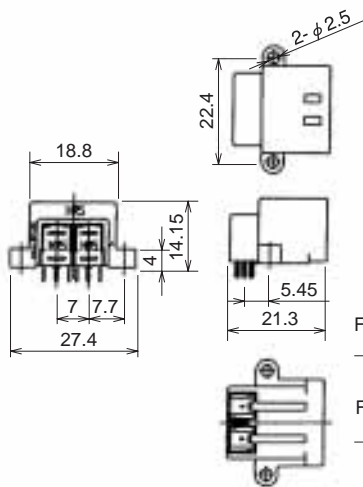
Note 2: Used with separate retainer (GT5-2P/S-R).

### ● Retainer – 2 position (Used with GT5-2S-HU, GT5-2PP-HU, and GT5N-2PP-HU)

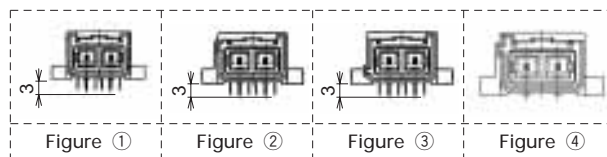


Part Number	CL No.	Material	Color
GT5-2P/S-R	755-0046-7	PBT	Dark gray

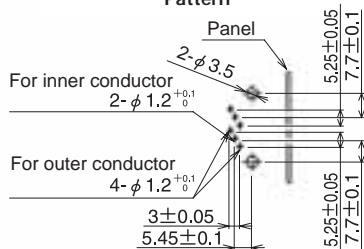
### ● Housings



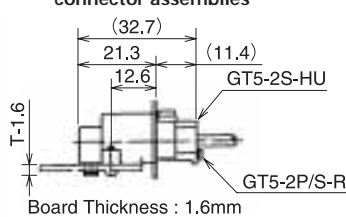
◆ Keying Configurations



◆ Recommended Board Mounting Pattern

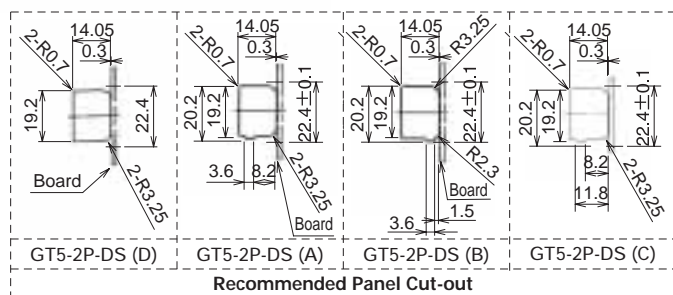


◆ Mounted and fully mated connector assemblies



Part Number	CL No.	Material	Color	Key polarizing code	USCAR-19 Coding
GT5-2P-DS	755-0043-9	PBT	Light Gray	Figure ①	D2
GT5-2P-DS(A)	755-0061-0		Brown	Figure ②	A2
GT5-2P-DS(B)	755-0062-3		Green	Figure ③	B2
GT5-2P-DS(C)	755-0101-3		Blue	Figure ④	C2

Note: Use JIS B 1115 and 1122 class 4, nominal diameter 3, length 6 screws (for a board thickness of 1.6 mm) for the mounting screws. Coding D2 at USCAR-19 is GT5-2P-DS.

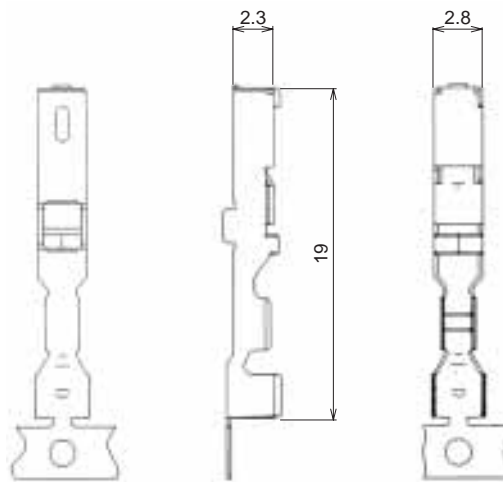


Recommended Panel Cut-out

## Power Supply Terminals

(For use with combination type assemblies:  
GT5-2/1S-HU, GT5-2/1P-DS, GT5-2/1PP-HU, GT5N-2/1PP-HU)

### F Connector Terminals

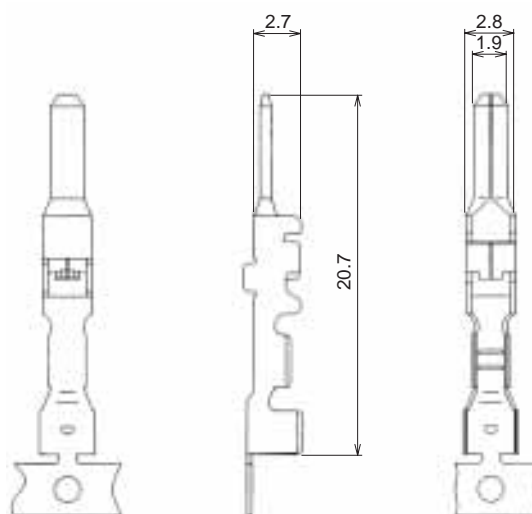
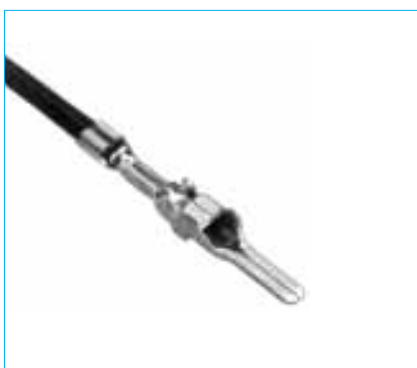


Part Number	CL No.	Material	Finish	Conductor Size (AWG)	Outer Diameter	Packaging
GT7-2022SCF	757-0001-1	Copper alloy	Tin plating	#20 to 22	1.4 to 2.4mm	5,000
GT7A-2022SCF	757-0003-7			#20 to 22	2.6 to 3.1mm	3,000

**Note 1:** Sold by the reel. (See above table for number of Packaging.)

**Note 2:** This component is used only with applicable HRS housings.

### M Connector Terminals



Part Number	CL No.	Material	Finish	Outer Diameter	Packaging
GT7-2022PCF	757-0002-4	Brass	Tin plating	1.4 to 2.4mm	5,000
GT7A-2022PCF	757-0004-0			2.6 to 3.1mm	3,000

**Note 1:** Sold by the reel. (See above table for number of Packaging.)

**Note 2:** This component is used only with applicable HRS housings.

GT5 Series

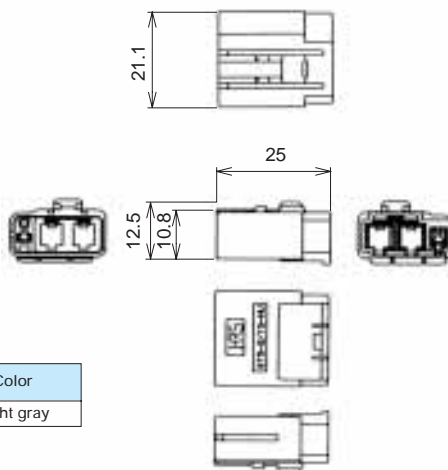
Coaxial cable connection of Antennas, Sensors, and Communication Trunk Lines

GT 1  
GT 5  
GT 13  
GT 16  
GT 5G  
GT 11  
GT 14  
GT 17  
GT 19N  
GT 2  
GT 3  
GT 6W  
GT 7  
GT 10  
GT 12  
GT 18W  
GT 15  
GT 8  
GT 9

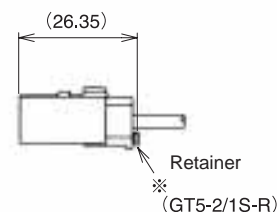
## Combinaton Type (Two Single-Conductor Coaxial Cables + One Power contact)

### F Connectors

#### ● Housing



◆ Shown with inserted retainer.

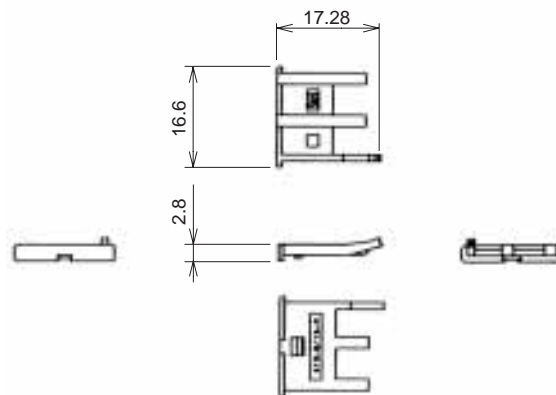


Part Number	CL No.	Material	Color
GT5-2/1S-HU	755-0009-0	PBT	Light gray

Note 1: Terminal extraction tool: GT-PO(A)

Note 2: Used with separate retainer (GT5-2/1S-R).

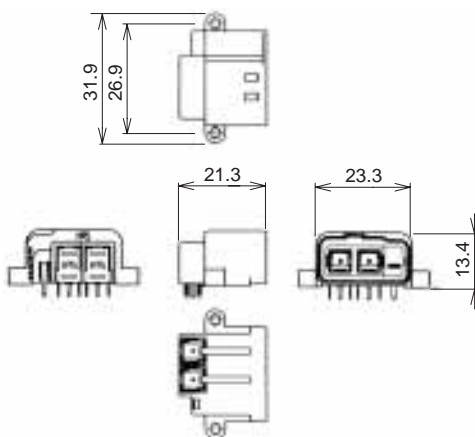
#### ● Retainer (exclusively for GT5-2/1S-HU)



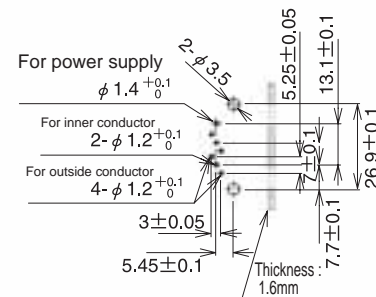
Part Number	CL No.	Material	Color
GT5-2/1S-R	755-0003-4	PBT	Dark gray

### M Connectors

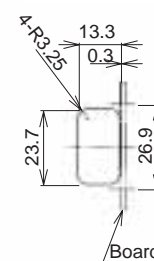
#### ● Connector assembly, Printed Circuit Board mounting



◆ Recommended Board Mounting Pattern



◆ Recommended Panel Cut-out



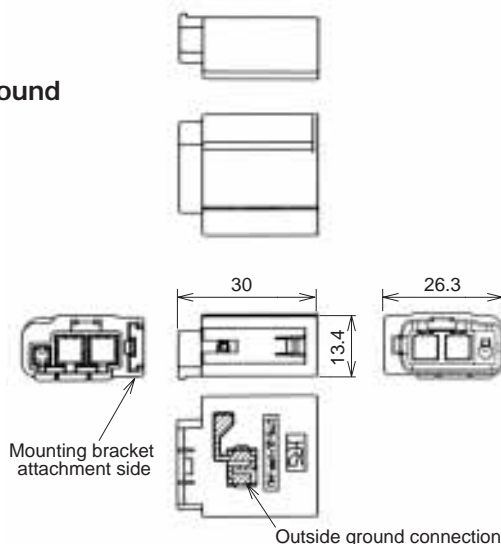
Part	Material	Finish
Housing	PBT	Color: Light gray
0.64x1.1 Terminal	Brass	Tin plating
Insulator	PBT	Dark gray
Outer terminal	Phosphor bronze	Tin plating
Tub terminal for DS 070	Brass	Tin plating

Part Number	CL No.
GT5-2/1P-DS	755-0014-0

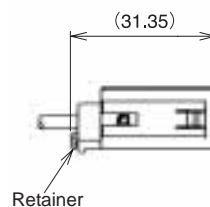
Note: Use JIS B 1115 and 1122 class 4, nominal diameter 3, length 6 screws (for a board thickness of 1.6 mm) for the mounting screws.

## M Connectors

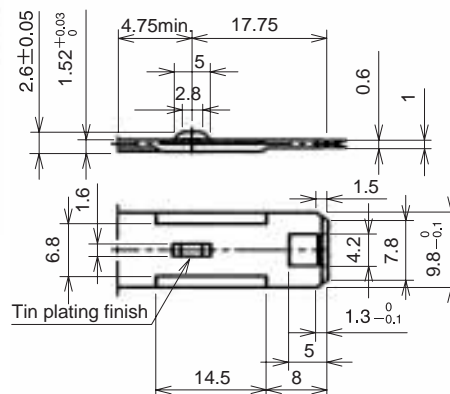
### ● Housing - with External Ground



◆ Shown with inserted retainer.



◆ Recommended Mounting Bracket Dimensions

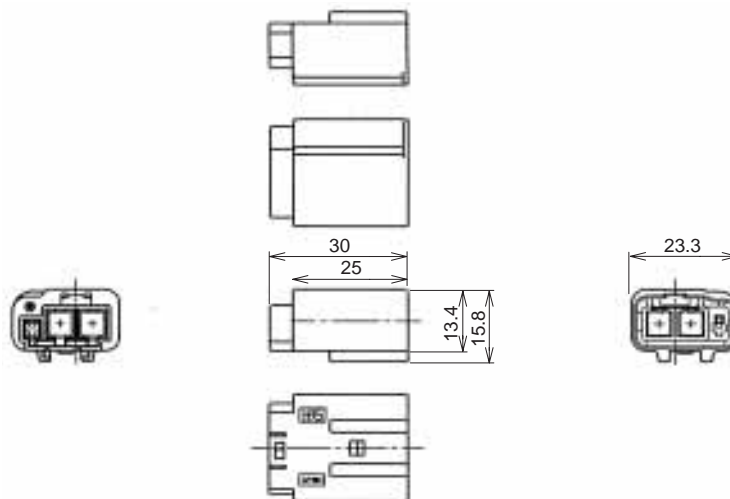


Part Number	CL No.	Part	Material	Finish
GT5-2/1PP-HU	755-0008-8	Housing	PBT	Color: Light gray
		Ground terminal	Phosphor bronze	Tin plating

Note 1: Terminal extraction tool: GT-PO(A)

Note 2: Used with separate retainer (GT5-2/1PP-R).

### ● Housing - without External Ground



Part Number	CL No.	Material	Color
GT5N-2/1PP-HU	755-0013-8	PBT	Light gray

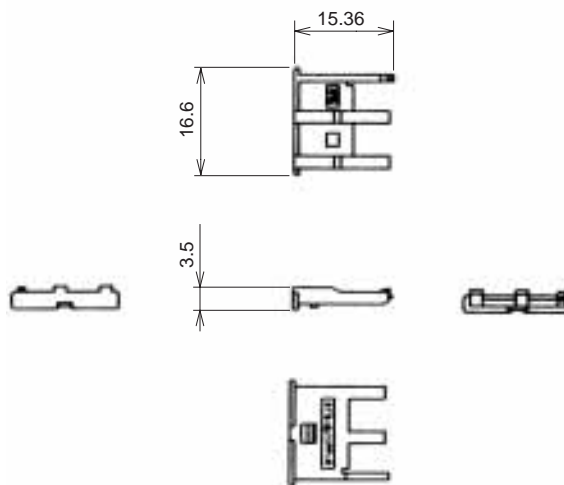
Note 1: Terminal extraction tool: GT-PO(A)

Note 2: Used with separate retainer GT5-2/1PP-R.

### ● Retainer (Used with GT5N-2/1PP-HU and GT5-2/1PP-HU)



GT5-2/1PP-R

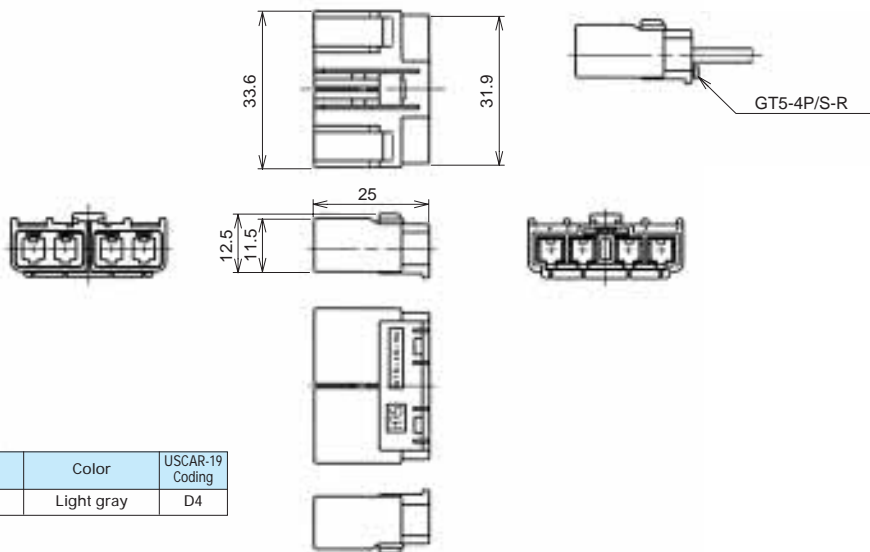


Part Number	CL No.	Material	Color
GT5-2/1PP-R	755-0010-0	PBT	Dark gray

GT5 Series

4-Position – Single conductor Coaxial cable

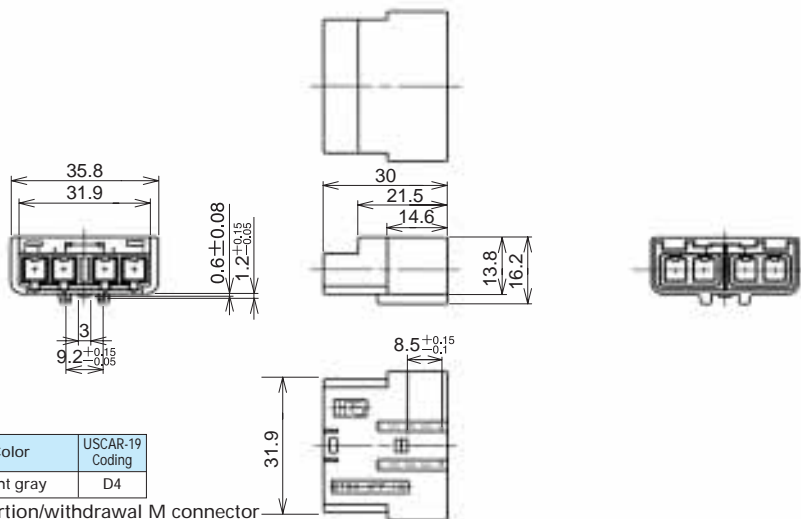
F Connector



Part Number	CL No.	Material	Color	USCAR-19 Coding
GT5-4S-HU	755-0056-0	PBT	Light gray	D4

Note: Used with separate retainer (GT5-4P/S-R).

M Connector

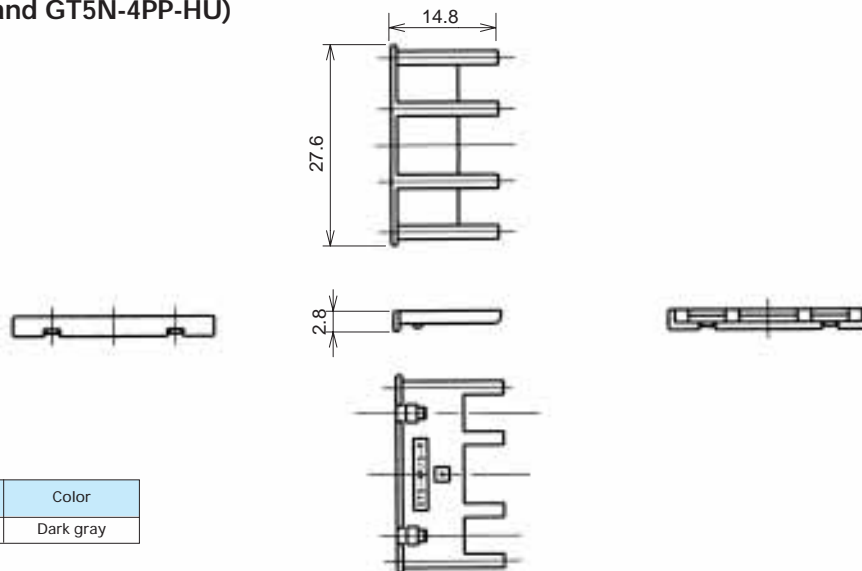


Part Number	CL No.	Material	Color	USCAR-19 Coding
GT5N-4PP-HU	755-0057-3	PBT	Light gray	D4

Note 1: The product should be used with a low-force insertion/withdrawal M connector terminal.

Note 2: Used with separate retainer GT5-4P/S-R.

Retainer (Used with GT5-4S-HU and GT5N-4PP-HU)

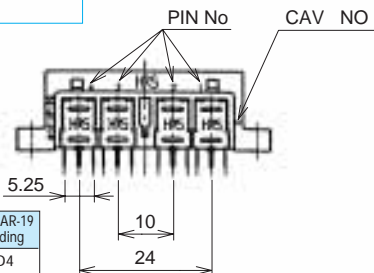
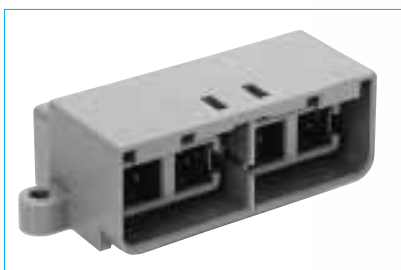


Part Number	CL No.	Material	Color
GT5-4P/S-R	755-0058-6	PBT	Dark gray



## M Connector

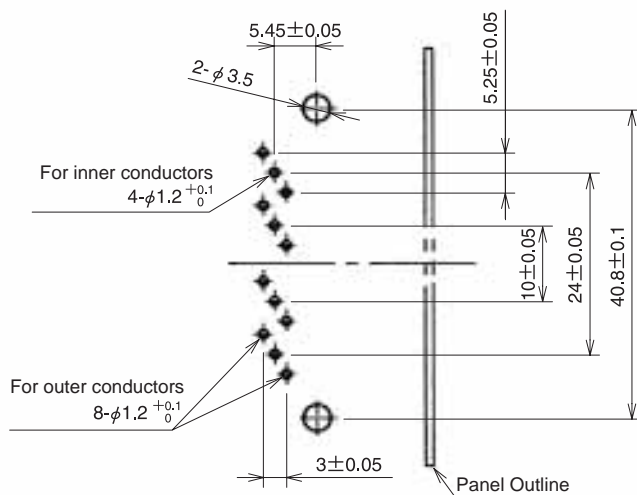
### Connector assembly, Printed Circuit Board Mounting



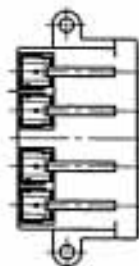
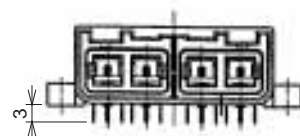
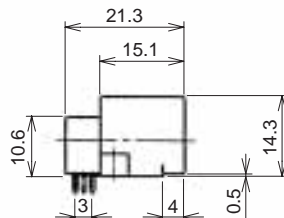
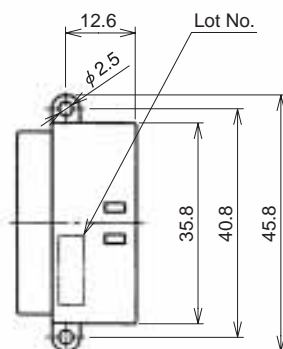
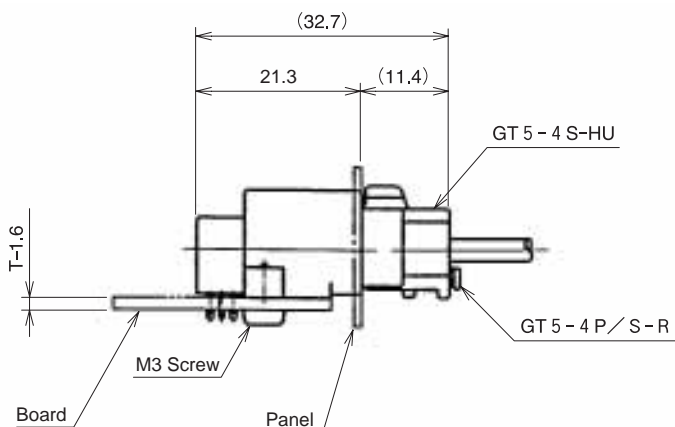
Part Number	CL No.	USCAR-19 Coding
GT5-4P-DS	755-0087-4	D4

Item	Material	Color / Finish
Housing	PBT	Light gray
0.64X1.1 Terminal	Brass	Tin plating
Insulator	PBT	Dark gray
Outside tube terminal	Phosphor bronze	Tin plating

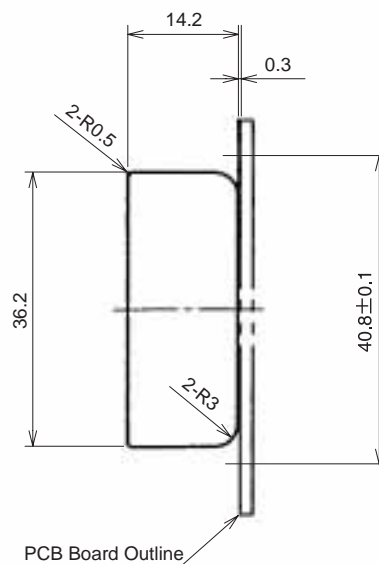
#### Recommended Board Mounting Pattern



#### Mounted and fully mated connector assemblies



#### Recommended Panel Cut-out

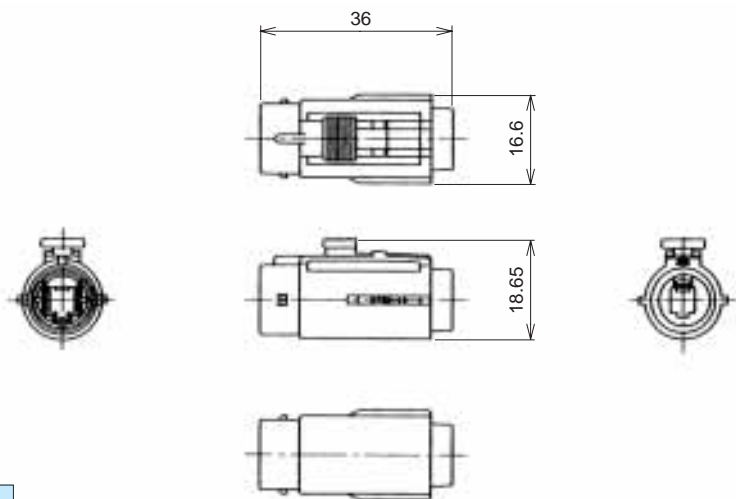


GT5 Series

## Single Conductor Coaxial Cable - Waterproof Type

### F Connector

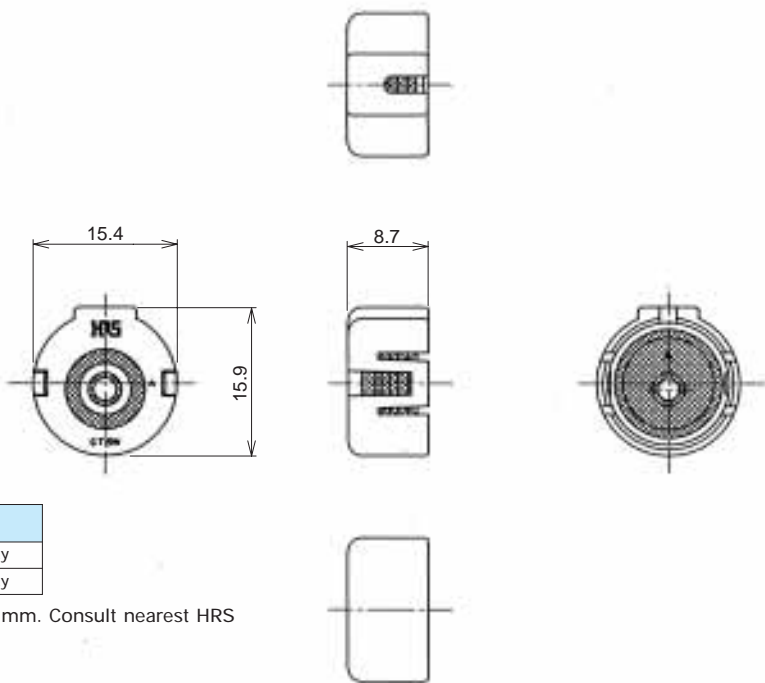
#### ● Housing



Part Number	CL No.	Material	Color
GT5W-1S-HU	755-0027-2	PBT	Light gray

**Note:** Specific retainer is determined by the type of the cable used.

#### ● Retainer (Used with GT5W-1P-HU, GT5JW-1PP-HU, GT5W-1S-HU and GT5W-1P-HU)

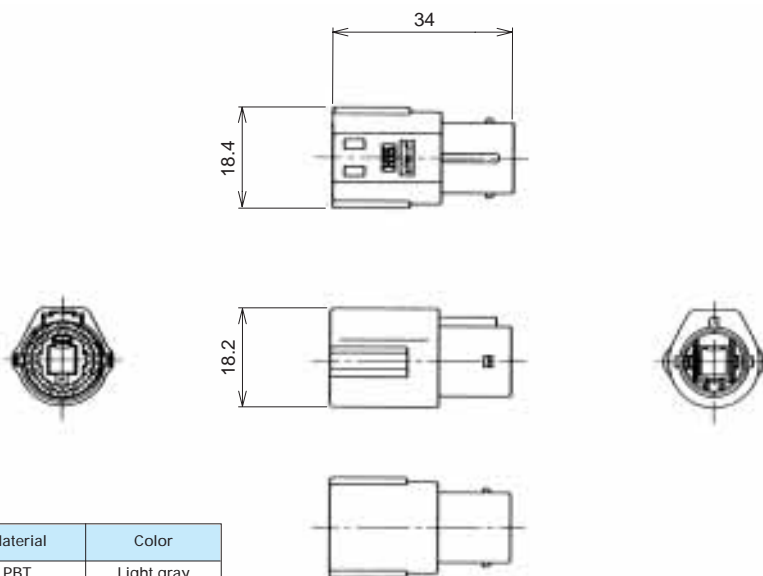


Part Number	CL No.	Material	Color
GT5W-1P/S-R	755-0028-5	PBT	Dark gray
		Silicon rubber Compound	Dark gray

**Note:** Outer diameter of the cable must be within 2.9 to 3.4 mm. Consult nearest HRS representative for other diameters.

## M Connectors

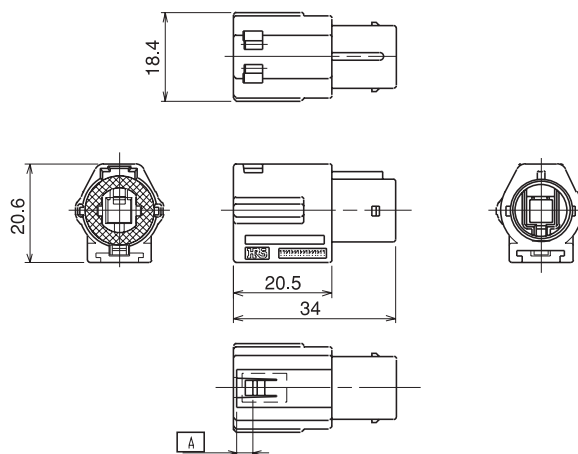
### Housing



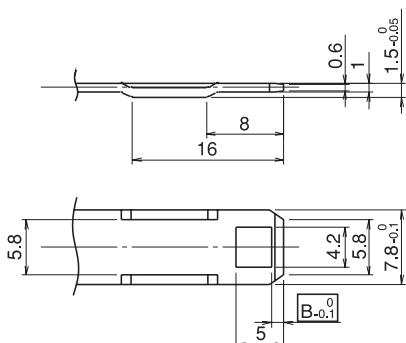
Part Number	CL No.	Part	Material	Color
GT5W-1P-HU	755-0026-0	Housing	PBT	Light gray
		Connector seal	Silicon rubber	White

Note: Use correct retainer.

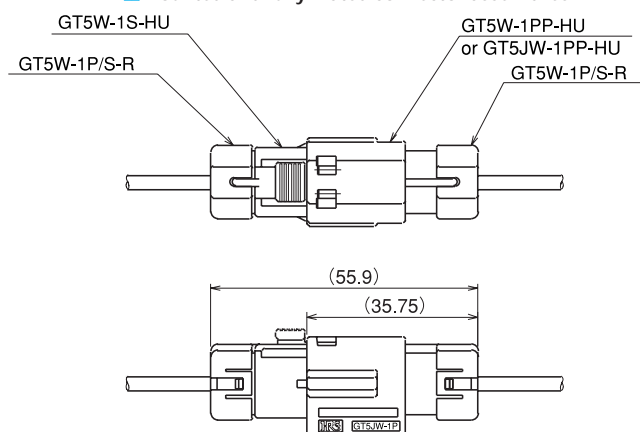
### Housings - Bracket Mounting



#### Recommended Bracket Dimensions



#### Mounted and fully mated connector assemblies



Part Number	CL No.	A	B	Part	Material	Color
GT5W-1PP-HU	755-0070-1	1.5	1.3	Housing	PBT	Light gray
GT5JW-1PP-HU	755-0069-2	3.2	3.0	Connector seal	Silicon rubber Compound	White

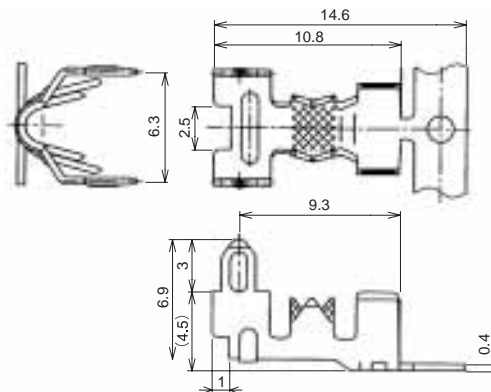
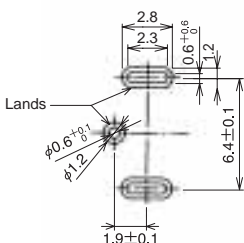
GT5 Series

## G Terminals

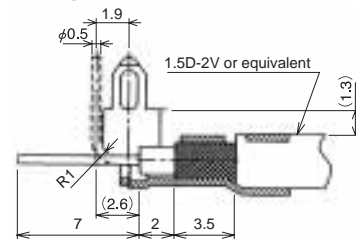
### For Direct Coaxial Cable Termination



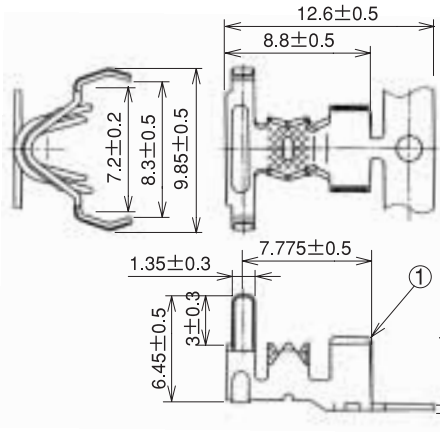
Board Termination Pattern



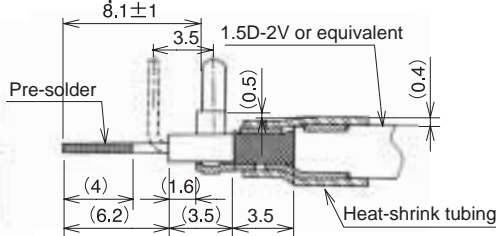
Completed Termination cross section



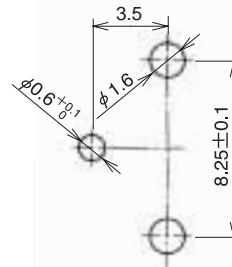
Part Number	CL No.	Material	Finish	Packaging
GTA-1.6CF	755-0032-2	Brass	Tin plating	1,500 pcs. Per reel



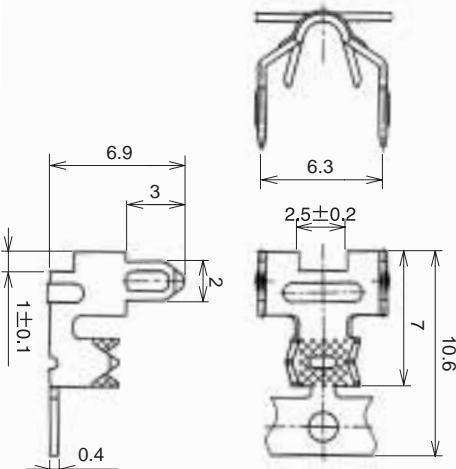
Completed Termination cross section



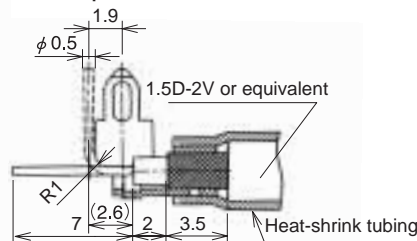
Board Termination Pattern



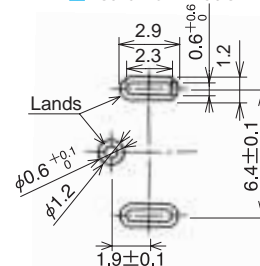
Part Number	CL No.	Material	Finish	Packaging
GTB-1.6CF	755-0049-5	Brass	Tin plating	1,500 pcs. Per reel



Completed Termination cross section

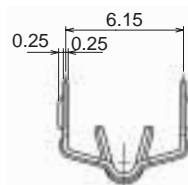
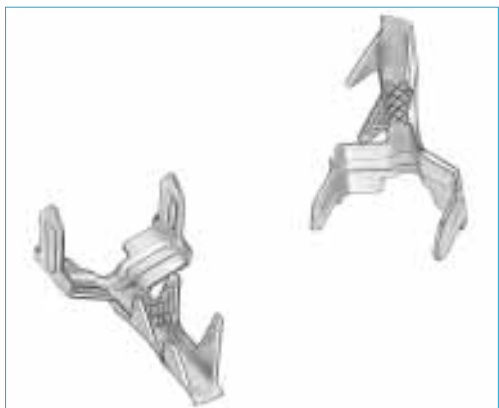


Board Termination Pattern

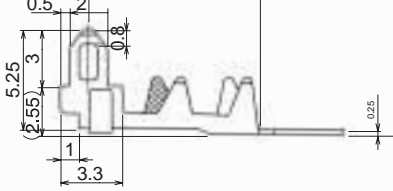
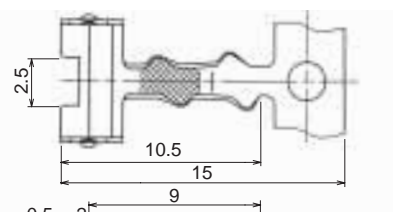
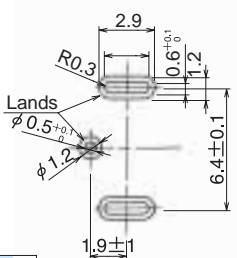


Part Number	CL No.	Material	Finish	Packaging
G-1.6PCF	755-0029-8	Brass	Tin plating	1,500 pcs. Per reel

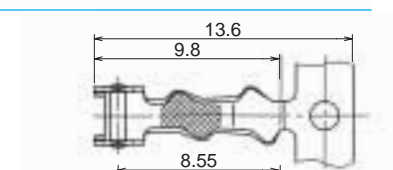
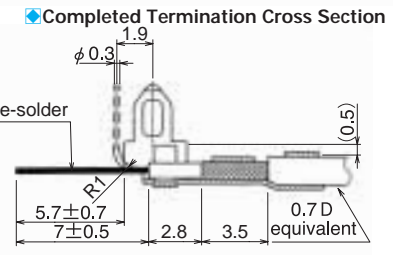
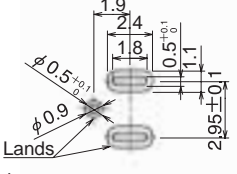
## For Direct Coaxial Cable Termination



◆ Recommended Board Termination Pattern



◆ Recommended Board Termination Pattern

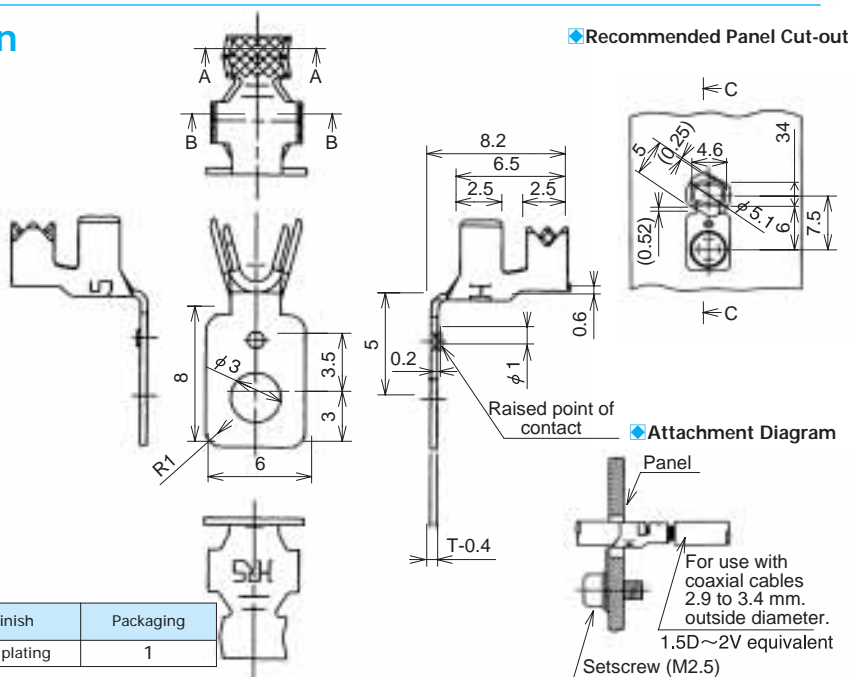


Part Number	CL No.	Material	Finish	Packaging
GTA-0.7CF	755-0074-2	Brass	Tin plating	1,500 pcs. Per reel



Part Number	CL No.	Material	Finish	Packaging
GTB-0.7CF	755-0075-5	Brass	Tin plating	1,500 pcs. Per reel

## For Mid-Cable Termination



◆ Recommended Panel Cut-out

◆ Attachment Diagram

Part Number	CL No.	Material	Finish	Packaging
GT-1.6PG-C	755-0031-0	Brass	Tin plating	1

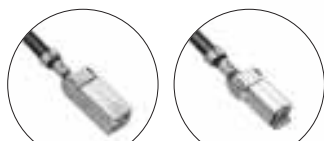
GT5 Series

Coaxial cable connection of Antennas, Sensors, and Communication Trunk Lines

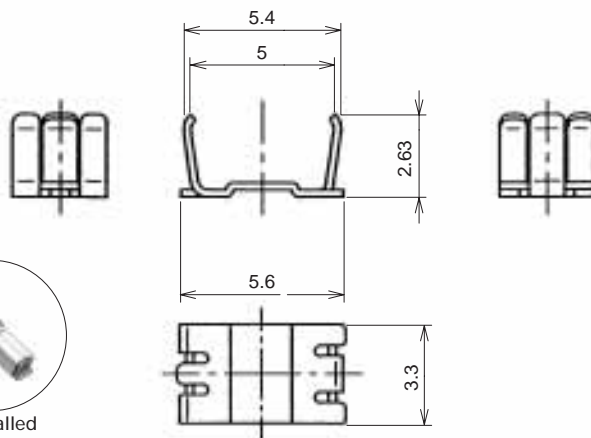
- GT 1
- GT 5
- GT 13
- GT 16
- PO5G
- GT 11
- GT 14
- GT 17
- GT 19N
- GT 2
- GT 3
- GT 6W
- GT 7
- GT 10
- GT 12
- GT 18W
- GT 15
- GT 8
- GT 9

## Bottom Shield cover

● For Improved Electronic Noise Compatibility

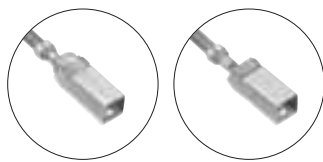
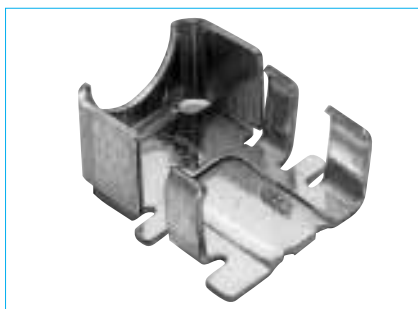


Mounted Condition Installed

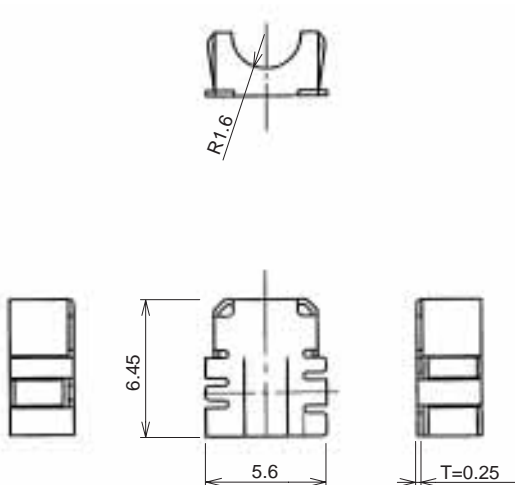


Part Number	CL No.	Material	Finish
GT5-1P/S-CSB	755-0048-2	Brass	Tin plating

## Top Shield cover



Mounted Condition Installed



Part Number	CL No.
GT5C-1P-CSB	755-0088-7

### GT5 with New Shielding Cover

After assembly

**GT5C-1P-CSB**

Advantage:  
Improved Shielding Performance

**fully covered**

After assembly

Standard type

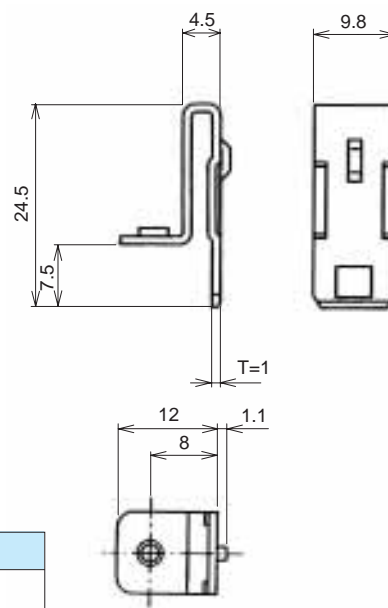
**GT5-1P/S-CSB**



## Panel Mounting In-line Bracket



**GT-BK**  
**GT-BK (01)**



Part Number	CL No.	Material	Finish	Used with connectors
GT-BK	751-0039-6	SPCC	Tin plating	GT5-1PP-HU(A), GT5-1PP-HU(B), GT5-1PP-HU(C), GT5-1PP-HU(D), GT5-1PP-HU(E), GT5-1PP-HU(I), GT5-1PP-HU(J), GT5-1PP-HU(K), GT5-2/1PP-HU, GT5-2PP-HU,
GT-BK(01)	751-0039-6-01		Zinc plating	GT5-2PP-HU(A), GT5-2PP-HU(B), GT5-2PP-HU(C)

## Termination Tools

User's manuals are available. Please ask your Hirose Electric account representative.

### Automatic crimping machine



Part Number CM-105

### Specifications

Item	Specification	Remarks
Specification	1.5tons	
Stroke length	30mm	
Number of strokes	200spm(50Hz)	200spm(60Hz)
Weight	75kg	
Motor	0.2kW	AC100V
Crimping speed	2000 to 4000pcs. Per day	

\* Crimp height setting tables are available for each cable type. Please contact your nearest Hirose Electric account representative.  
 Different cables will require different crimp height settings.

GT5 Series

Coaxial cable connection of Antennas, Sensors, and Communication Trunk Lines

- GT 1
- GT 5
- GT 13
- GT 16
- PO5G
- GT 11
- GT 14
- GT 17
- GT 19N
- GT 2
- GT 3
- GT 6W
- GT 7
- GT 10
- GT 12
- GT 18W
- GT 15
- GT 8
- GT 9

● Harnes Tool

Name of Applicabe Terminal	Name of Applicabe Applicator	CL No.
GT5-30/1.6-2.9PCF	AP105-GT5-30/1.6-2.9P-ID	CL901-5019-6
	AP105-GT5-30/1.6-2.9P	CL901-5017-0
	AP105-GT5-30/1.6-2.9P-A	CL901-5040-2
GT5-30/1.6-2.9SCF	AP105-GT5-30/1.6-2.9S-ID	CL901-5020-5
	AP105-GT5-30/1.6-2.9S	CL901-5018-3
GT5-2428/1.6-2.9PCF	AP105-GT5-2428/1.6-2.9P	CL901-5029-0
	AP105-GT5-2428/1.6-2.9PWS	CL901-5031-1
GT5-2428/1.6-2.9SCF	AP105-GT5-2428/1.6-2.9S	CL901-5030-9
	AP105-GT5-2428/1.6-2.9SWS	CL901-5032-4
GT5-2428/F3.3-5PCF	AP105-GT5-2428/F3.3-5P-ID	CL901-5037-8
GT5-2428/F3.3-5SCF	AP105-GT5-2428/F3.3-5S-ID	CL901-5038-0
GT5-2022/F3.3-5PCF	AP105-GT5-2022/F3.3-5P-ID	CL901-5058-8
	AP105-GT5-2022/F3.3-5P	CL901-5059-0
	AP105-GT5-2022/F3.3-5P2.2D-ID	CL901-5070-3
	AP105-GT5-2022/F3.3-5S-ID	CL901-5060-0
GT5-2022/F3.3-5SCF	AP105-GT5-2022/F3.3-5S	CL901-5061-2
	AP105-GT5-2022/F3.3-5S2.2D-ID	CL901-5071-6
	AP105-GT5-30/F4-5P-ID	CL901-5033-7
GT5-30/F4-5PCF	AP105-GT5-30/F4-5P-ID	CL901-5033-7
GT5-30/F4-5SCF	AP105-GT5-30/F4-5S-ID	CL901-5034-0
GT5-2428/F4-5PCF	AP105-GT5-2428/F4-5P-ID	CL901-5035-2
	AP105-GT5-2428/F4-5P-3C2V	CL901-5056-2
GT5-2428/F4-5SCF	AP105-GT5-2428/F4-5S-ID	CL901-5036-5
	AP105-GT5-2428/F4-5S-3C2V	CL901-5057-5
GT5-2022/F4-5PCF	AP105-GT5-2022/F4-5P-ID	CL901-5054-7
	AP105-GT5-2022/F4-5P	CL901-5052-1
GT5-2022/F4-5SCF	AP105-GT5-2022/F4-5S-ID	CL901-5055-0
	AP105-GT5-2022/F4-5S	CL901-5053-4
GT5-30/0.7-1.5PCF	AP105-GT5-30/0.7-1.5P	CL901-5021-8
GT5-30/0.7-1.5SCF	AP105-GT5-30/0.7-1.5S	CL901-5080-7
GT5-2022/F2.7-3.5PCF	AP105-GT5-2022/F2.7-3.5P	CL901-5091-3
GT5-2022/F2.7-3.5SCF	AP105-GT5-2022/F2.7-3.5S	CL901-5092-6
GT5-2022/1.6-2.9SCF	AP105-GT5-2022/1.6-2.9S	CL901-5088-9
GT5-2022/F3.3-3.8PCF	AP105-GT5-2022/3.3-3.8P	
GT5-2022/F3.3-3.8SCF	AP105-GT5-2022/3.3-3.8S	
GT5-2428/1.6-2.5PCF	AP105-GT5-2428/1.6-2.5P	CL901-5100-3
GT5-2428/1.6-2.5SCF	AP105-GT5-2428/1.6-2.5S	CL901-5101-5
GT5-2428/1.6-2.9PCF	AP105-GT5-2428/1.6-2.9P-B	CL901-5103-0
GT5-2428/1.6-2.9SCF	AP105-GT5-2428/1.6-2.9S-B	CL901-5104-6
GT5-2022/F4-5SCF	AP105-GT5-2022/F4-5S-18ID	CL901-5102-8
	AP105-GT5-2022/F4-5S-RG58	CL901-5015-6
GT5-2022/F4-5PCF	AP105-GT5-2022/F4-5P-RG58	CL901-5016-9