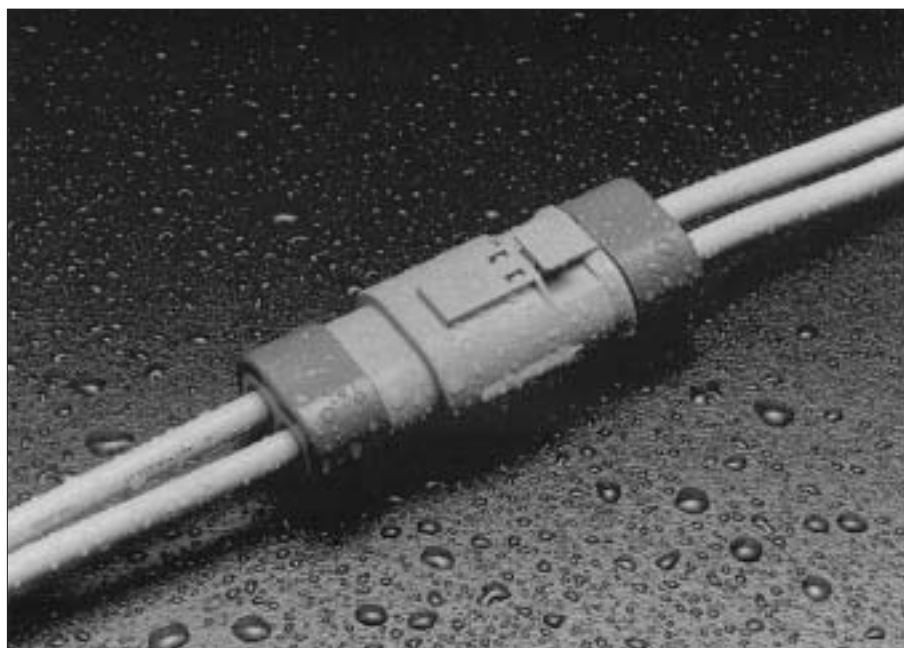


Interface Portions and In-line Portions of the Various Units and Devices

GT6W Series

— Shielded Cable, High-Current, Waterproof Connectors —
<In-line Type>



■ Features

- Can be used at currents up to 20 A.
- Shield processing can be performed easily with crimping.

GT 1

GT 5

GT 13

GT 16

PO5G

GT 11

GT 14

GT 17

GT 19N

GT 2

GT 3

GT 6W

GT 7

GT 10

GT 12

GT 18W

GT 15

GT 8

GT 9

Interface Portions and In-line Portions of the Various Units and Devices

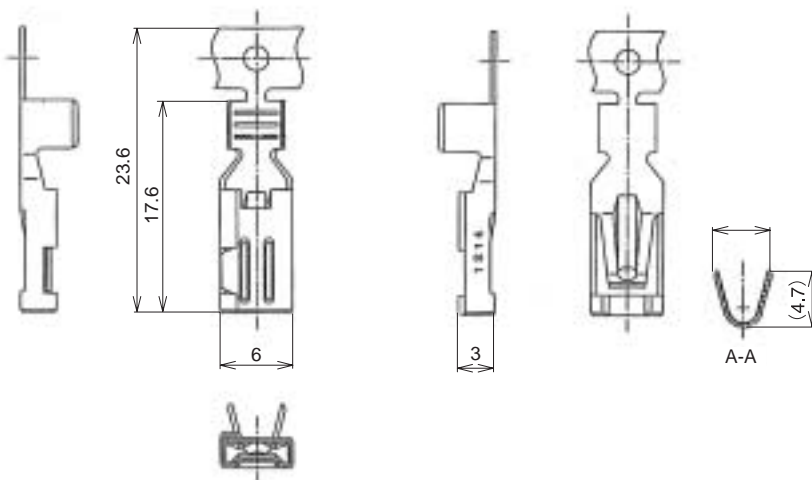
GT6W Series

Interface Portions and In-line Portions of the Various Units and Devices

- GT 1
- GT 5
- GT 13
- GT 16
- PO5G
- GT 11
- GT 14
- GT 17
- GT 19N
- GT 2
- GT 3
- GT 6W
- GT 7
- GT 10
- GT 12
- GT 15
- GT 18W
- GT 8
- GT 9

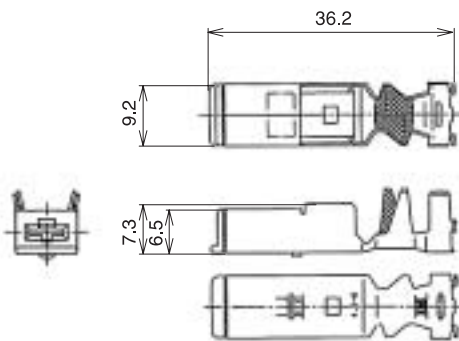
F Connectors

Center Terminal



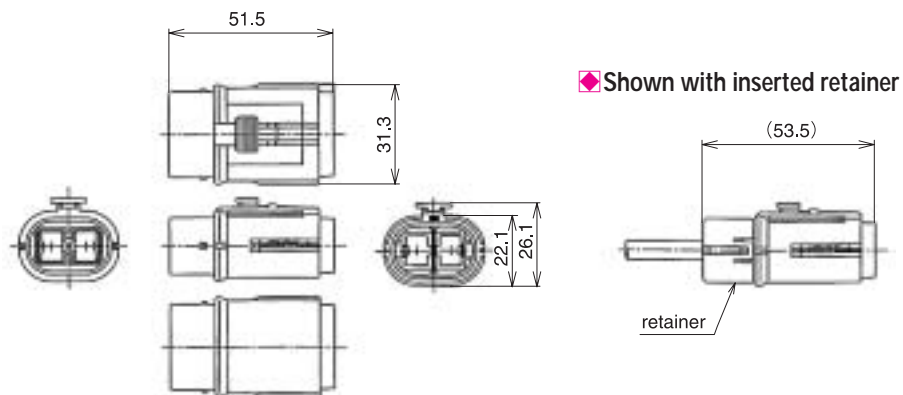
Part Number	CL No.	Packaging
GT6-1214SCF	756-0005-6	1,500 pcs. per reel

Outer Terminal



Part Number	CL No.
GT6-4.4/6SC	756-0007-1

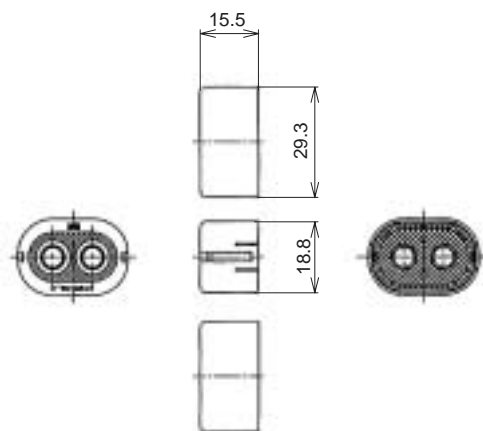
Housing



Part Number	CL No.
GT6W-2S-HU	756-0002-8

Used with separate retainer (GT6W-2P/S-6R).

Retainer (Used with GT6W-2S-HU and GT6W-2PP-HU)

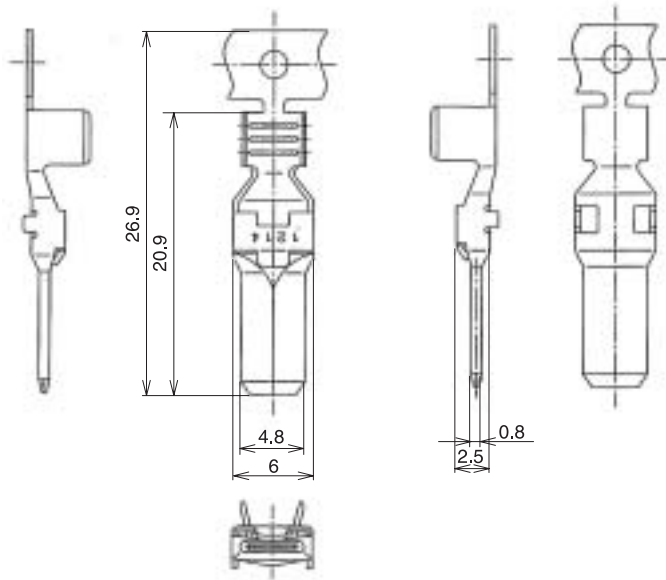


Part Number	CL No.	Outer Diameter
GT6W-2P/S-6R	756-0003-0	4.6 to 5.0 mm

Consult nearest HRS representative for other diameters.

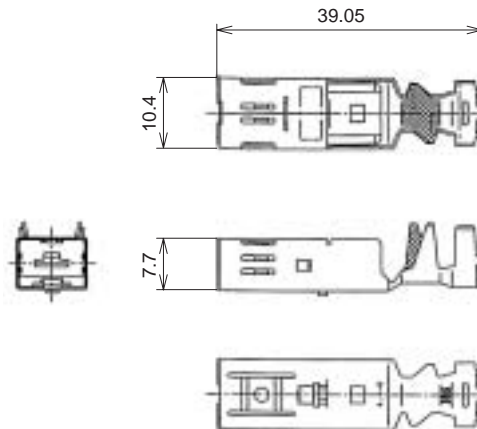
M Connectors

● Center Terminal



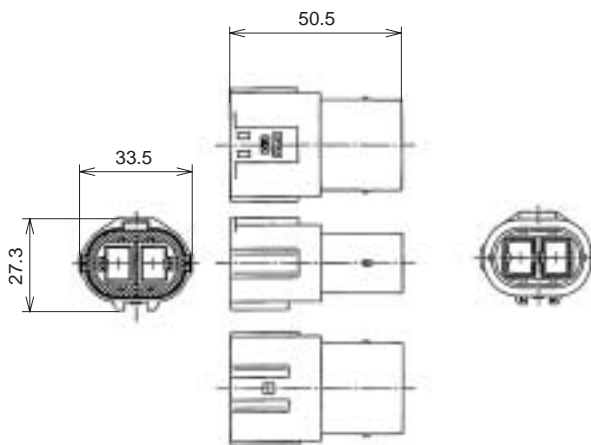
Part Number	CL No.	Packaging
GT6-1214PCF	756-0004-3	1,500 pcs. per reel

● Outer Terminal

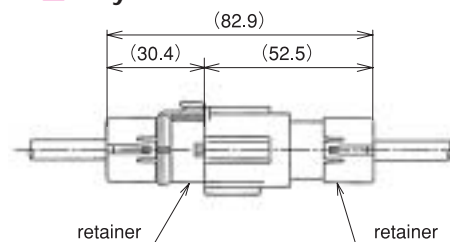


Part Number	CL No.
GT6-4.4/6PC	756-0006-9

● Housing



◆ Fully mated connector assemblies



Part Number	CL No.
GT6W-2PP-HU	756-0001-5

Used with separate retainer (GT6W-2P/S-6R).

GT 1
GT 5
GT 13
GT 16
PO5G
GT 11
GT 14
GT 17
GT 19N
GT 2
GT 3
GT 6W
GT 7
GT 10
GT 12
GT 18W
GT 15
GT 8
GT 9

Interface Portions and In-line Portions of the Various Units and Devices