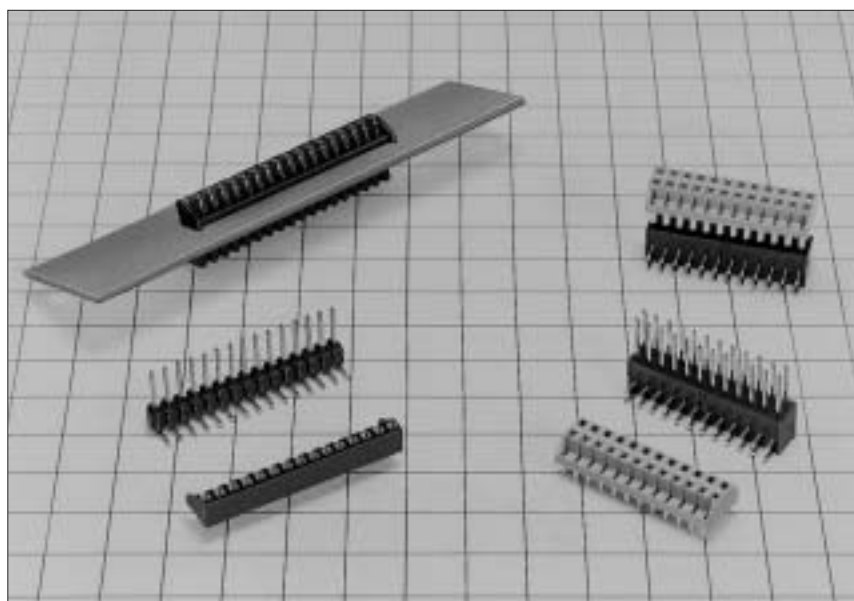


Interface Portions and In-line Portions of the Various Units and Devices

GT9 Series

Developed for Equipment
Exposed to Harsh Environmental Conditions

<12 Pos., 15 Pos., 16 Pos., 18 Pos., 19 Pos., and 25 Pos.>



■ Features

- Bottom entry type
- High-pressure type with dimple processing at contact portion
- Flux prevention processing specification also available.* (Specification 05)
 - * Flux prevention processing: The hole connector is immersed in a flux prevention processing liquid and the surface is coated to prevent flux wicking.

Custom orders of other numbers of Pos. can be accommodated.

■ Applications

Automotive equipment, IPM, and IGBT.

GT 1

GT 5

GT 13

GT 16

PO5G

GT 11

GT 14

GT 17

GT 19N

GT 2

GT 3

GT 6W

GT 7

GT 10

GT 12

GT 18W

GT 15

GT 8

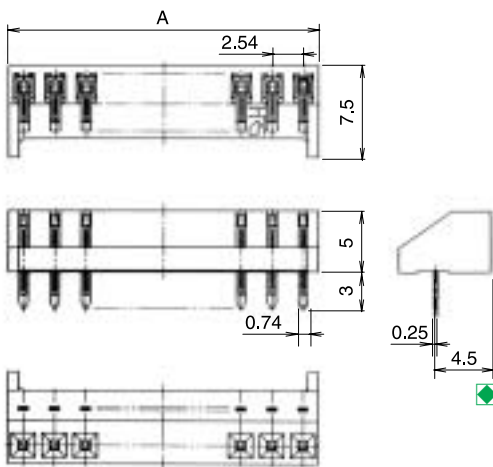
GT 9

Connections of the Various Units
and Device Interiors

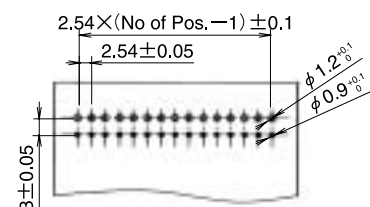
GT9 Series

Single-Row Type

F Connectors



Recommended PCB Mounting Pattern



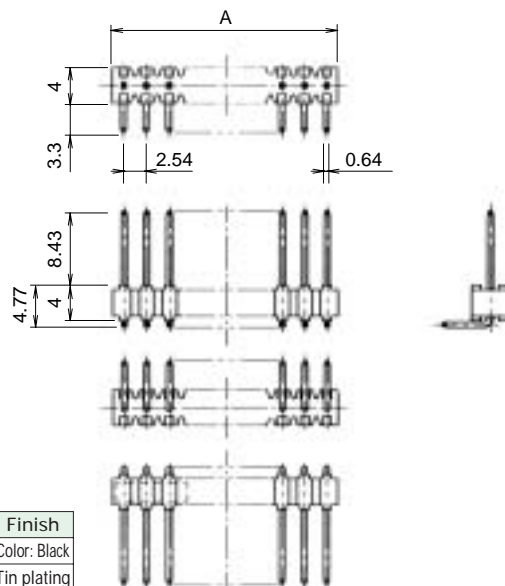
Part Number	CL No.	Number of positions	A dimension	Remarks
GT9-12S-2.54DSA	759-0011-8	12	30.48	
GT9-12S-2.54DSA (05)	759-0011-8-05			Flux prevention finish
GT9-15S-2.54DSA	759-0001-4	15	38.1	
GT9-15S-2.54DSA (05)	759-0001-4-05			Flux prevention finish
GT9-16S-2.54DSA	759-0008-3	16	40.64	
GT9-16S-2.54DSA (05)	759-0008-3-05			Flux prevention finish
GT9-18S-2.54DSA	759-0002-7	18	45.72	
GT9-18S-2.54DSA (05)	759-0002-7-05			Flux prevention finish
GT9-19S-2.54DSA	759-0009-6	19	48.26	
GT9-19S-2.54DSA (05)	759-0009-6-05			Flux prevention finish
GT9-25S-2.54DSA	759-0006-8	25	63.5	
GT9-25S-2.54DSA (05)	759-0006-8-05			Flux prevention finish

Item	Material	Finish
Housing	PA (Note)	Color: Black
Terminal	Phosphor bronze	Tin plating

Note: The material is PBT for the 12-pos. type only.

M Connectors

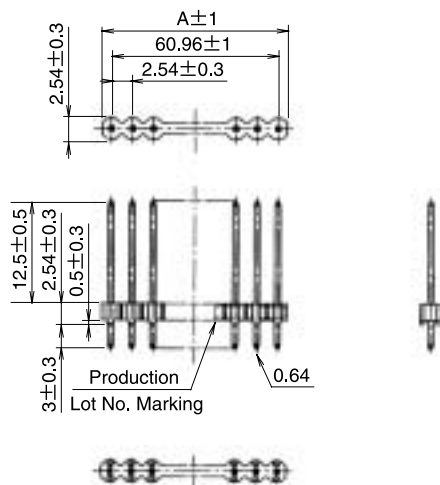
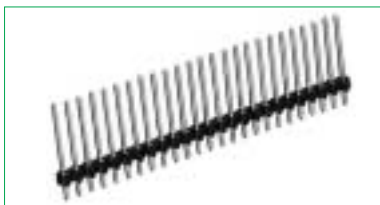
Right-angle Type



Part Number	CL No.	Number of positions	A dimension	Remarks
GT9-12P-2.54DS	759-0012-0	12	30.48	
GT9-12P-2.54DS (05)	759-0012-0-05			Flux prevention finish
GT9-15P-2.54DS	759-0004-2	15	38.1	
GT9-15P-2.54DS (05)	759-0004-2-05			Flux prevention finish
GT9-18P-2.54DS	759-0005-5	18	45.72	
GT9-18P-2.54DS (05)	759-0005-5-05			Flux prevention finish
GT9-25P-2.54DS	759-0007-0	25	63.5	
GT9-25P-2.54DS (05)	759-0007-0-05			Flux prevention finish

Item	Material	Finish
Housing	PBT	Color: Black
Terminal	Brass	Tin plating

Straight Type

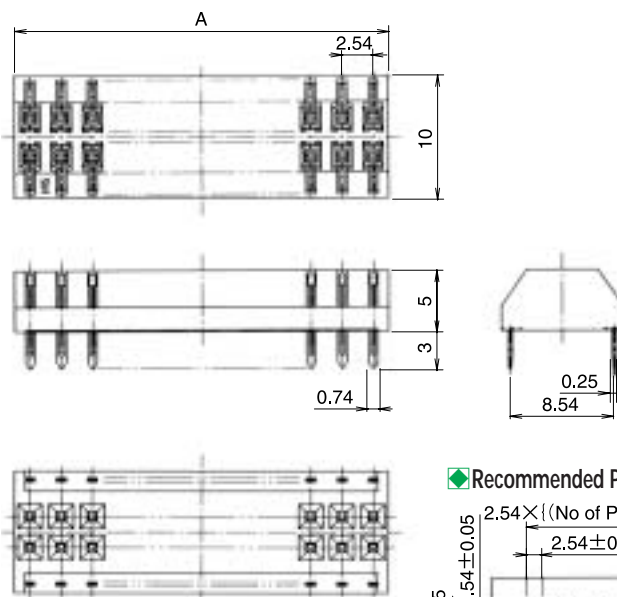
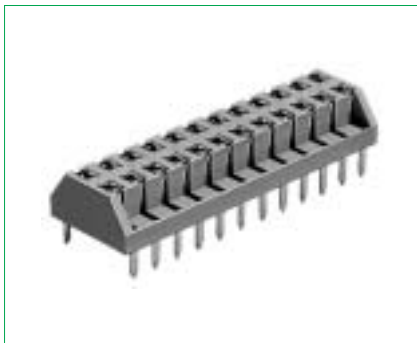


Part Number	CL No.	Number of positions	A dimension	Remarks	
GT9P-12P-2.54DSA	759-0014-6 00	12	30.48		
GT9P-12P-2.54DSA (05)	759-0014-6 05		30.48	Flux prevention processing	
GT9P-12P-2.54DSA (12)	759-0014-6 12		30.48	Flux prevention processing, with locator, cost effective item	
GT9P-12P-2.54DSA (13)	759-0014-6 13	16	30.48	Flux prevention processing, with locator	
GT9P-16P-2.54DSA	759-0015-9 00		40.64		
GT9P-16P-2.54DSA (05)	759-0015-9 05		40.64	Flux prevention processing	
GT9P-16P-2.54DSA (12)	759-0015-9 12	16	40.64	Flux prevention processing, with locator, cost effective item	
GT9P-16P-2.54DSA (13)	759-0015-9 13		40.64	Flux prevention processing, with locator	
GT9P-19P-2.54DSA	759-0016-1 00		19	48.26	
GT9P-19P-2.54DSA (05)	759-0016-1 05	48.26		Flux prevention processing	
GT9P-19P-2.54DSA (12)	759-0016-1 12	48.26		Flux prevention processing, with locator, cost effective item	
GT9P-19P-2.54DSA (13)	759-0016-1 13	19	48.26	Flux prevention processing, with locator	
GT9P-25P-2.54DSA	759-0010-5 00		25	63.50	
GT9P-25P-2.54DSA (05)	759-0010-5 05			63.50	Flux prevention processing
GT9P-25P-2.54DSA (12)	759-0010-5 12	63.50		Flux prevention processing, with locator, cost effective item	
GT9P-25P-2.54DSA (13)	759-0010-5 13	25	63.50	Flux prevention processing, with locator	

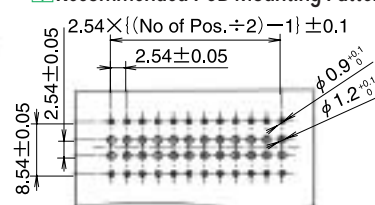
Item	Material	Finish
Housing	PBT	Color: Black
Terminal	Brass	Tin plating

Double-Row Type

F Connectors



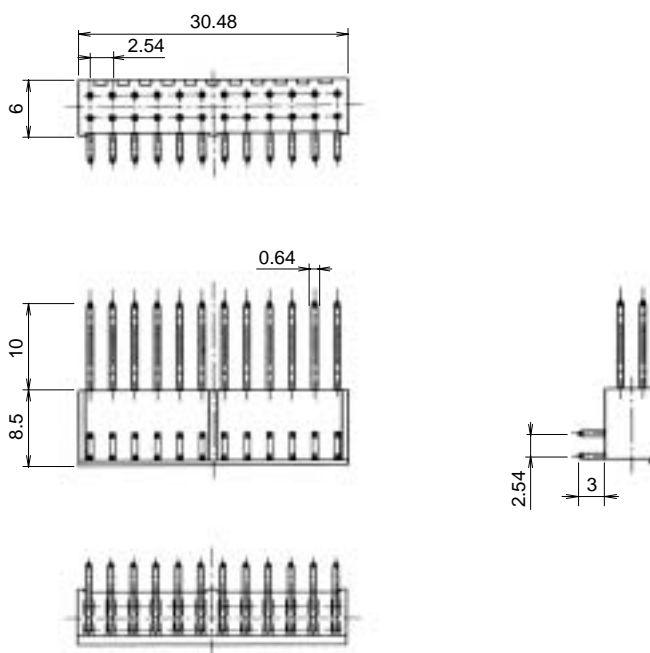
Recommended PCB Mounting Pattern



Part Number	CL No.	Number of positions	A dimension	Remarks
GT9-24D-2.54DSA	759-0003-0 00	24	30.48	
GT9-24D-2.54DSA (05)	759-0003-0 05	24	30.48	Flux prevention finish
GT9-24D-2.54DSA (23)	759-0003-0 23	24	30.48	Color: Natural
GT9-30D-2.54DSA	759-0018-7-00	30	38.10	
GT9-30D-2.54DSA (05)	759-0018-7-05	30	38.10	Flux prevention finish

Item	Material	Finish
Housing	PA	Color: Black Color: Natural
Terminal	Phosphor brass	Tin plating

M Connectors



Part Number	CL No.	Item	Material	Finish
MDF7N-24DP-2.54DS (01)	547-0226-8-01	Housing	PBT	Color: Black
		Terminal	Brass	Tin plating

- GT 1
- GT 5
- GT 13
- GT 16
- PO5G
- GT 11
- GT 14
- GT 17
- GT 19N
- GT 2
- GT 3
- GT 6W
- GT 7
- GT 10
- GT 12
- GT 18W
- GT 15
- GT 8
- GT 9

Connections of the Various Units and Device Interiors

GT9 Series

GT 1

GT 5

GT 13

GT 16

PO5G

GT 11

GT 14

GT 17

GT 19N

GT 2

GT 3

GT 6W

GT 7

GT 10

GT 12

GT 18W

GT 15

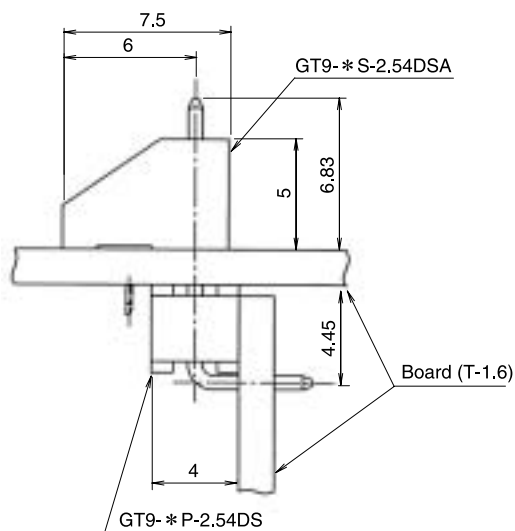
GT 8

GT 9

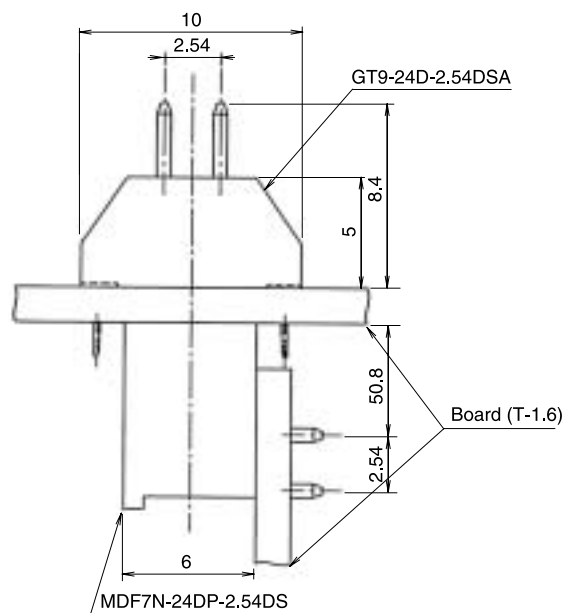
Connections of the Various Units
and Device Interiors

◆ Mating Diagram

● Single-Row Type

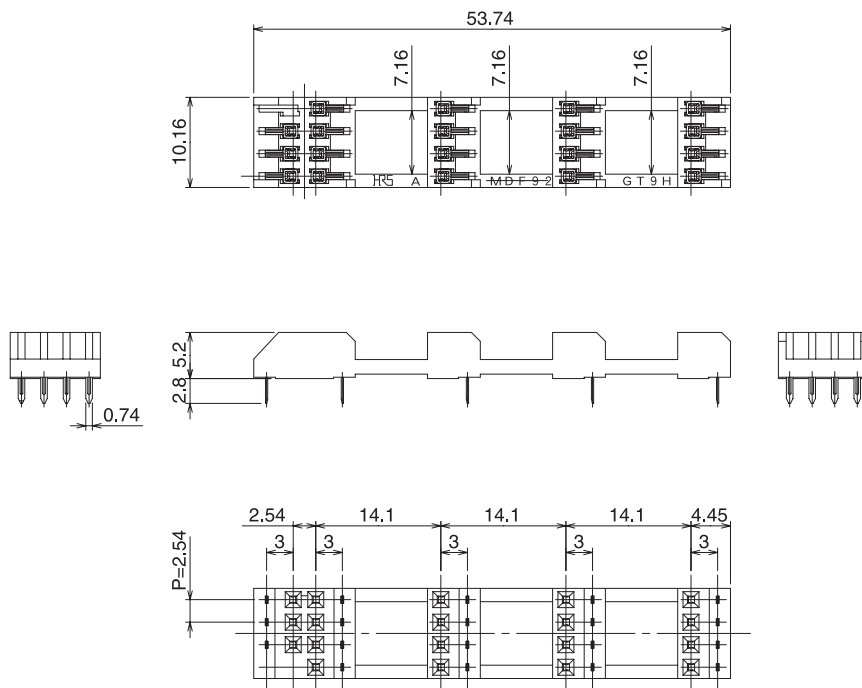


● Double-Row Type

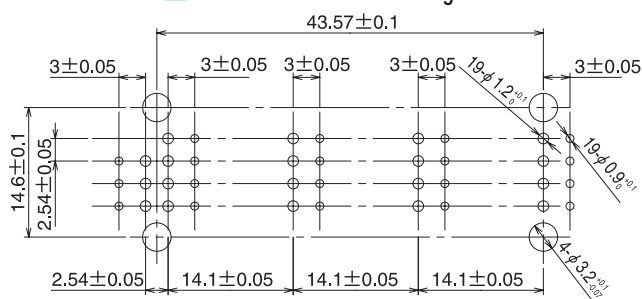


5-Row Type

F Connectors



Recommended PCB Mounting Pattern



Part Number	CL No.	Item	Material	Finish
GT9H-19S-2.54DSA (01)	759-0023-7-01	Housing	PBT	Color: Black
		DSA Terminal	Phosphor bronze	Contact area: Gold plating Termination area: Tin plating

- GT 1
- GT 5
- GT 13
- GT 16
- PO5G
- GT 11
- GT 14
- GT 17
- GT 19N
- GT 2
- GT 3
- GT 6W
- GT 7
- GT 10
- GT 12
- GT 18W
- GT 15
- GT 8
- GT 9